



Harvia Spirit

EN Owner's/Operator's Manual

Sauna heater installation, wiring, operating instructions, troubleshooting, maintenance and guarantee.

IMPORTANT! This manual must be left with owner, manager, or operator of Sauna after it is used by electrician!



MODEL

| | | |
|-----------|--------|-------|
| HSPE60U1M | 6.0 kW | 240 V |
| HSPE80U1M | 8.0 kW | 240 V |



These instructions for installation and use are intended for the owner or the person in charge of the sauna, as well as for the electrician in charge of the electrical installation of the heater. After completing the installation, the person in charge of the installation should give these instructions to the owner of the sauna or to the person in charge of its operation. Please read the instructions for use carefully before using the heater.

| | |
|--|----|
| WARNINGS AND NOTES..... | 3 |
| TECHNICAL DATA..... | 5 |
| INSTRUCTIONS FOR INSTALLATION..... | 6 |
| Before installation..... | 6 |
| Safety distances..... | 6 |
| Installing the Heater..... | 8 |
| Placing of sauna stones..... | 10 |
| Heater Fence..... | 12 |
| Installation of the Control Unit and Sensor..... | 12 |
| Electrical connections..... | 14 |
| Electric Heater Insulation Resistance..... | 14 |
| Resetting the Overheat Protector..... | 14 |
| Replacing the Heating Elements..... | 15 |
| SAUNA ROOM..... | 16 |
| Insulation and Wall Materials of the Sauna Room..... | 16 |
| Heater Output..... | 17 |
| Blackening of the Sauna Walls..... | 17 |
| Sauna Room Floor..... | 17 |
| Sauna room ventilation..... | 17 |
| Sauna Room Hygiene..... | 18 |
| OPERATING INSTRUCTIONS..... | 19 |
| Throwing Water on Heated Stones..... | 19 |
| Water quality requirements..... | 19 |
| Heating of the Sauna..... | 19 |
| Using the Heater..... | 19 |
| Instructions for Bathing..... | 20 |
| Troubleshooting..... | 20 |
| MAINTENANCE INSTRUCTIONS..... | 21 |
| GUARANTEE..... | 21 |
| SPARE PARTS..... | 22 |

EN: Delivery contents

- ✓ Sauna heater
- ✓ Temperature sensor 125 °C / 257 °F
- ✓ Mounting screws
- ✓ Wall mounting bracket
- ✓ Instructions for Installation and Use
- ✓ Caution and warning signs

WARNINGS AND NOTES



READ THE WARNINGS AND MANUAL CAREFULLY BEFORE USING THE PRODUCT!



WARNINGS

- The sauna heater is designed for the heating of a sauna room to bathing temperature. It is not to be used for any other purpose! The control unit is meant for controlling the functions of a sauna and a sauna heater. It is not to be used for any other purpose!
- For household use only!
- Keep away from the heater when it is hot. The stones and outer surface of the heater may burn your skin.
- Do not throw too much water on the stones. The evaporating water is boiling hot.
- Do not let young, handicapped or ill people bathe in the sauna on their own.
- This appliance is not intended for use by persons (including children) with reduced physical, sensory or mental capabilities, or lack of experience and knowledge, unless they have been given supervision or instruction concerning use of the appliance by a person responsible for their safety. Children should be supervised to ensure that they do not play with the appliance.
- Consult your doctor about any health-related limitations to bathing.
- Parents should keep children away from the hot heater.
- Consult your child welfare clinic about taking little babies to the sauna (age, temperature of the sauna, time spent in the warm sauna?)
- Be very careful when moving in the sauna, as the platform and floors may be slippery.
- Do not smoke, use alcohol, or exercise in the sauna.
- Do not exceed 30 min. in the sauna at one time, as excessive exposure can be harmful to health. The sauna should not be used as an endurance test.
- Persons with poor health should consult their physicians before using the sauna.
- Do not place any combustible material over the sauna heater (towels, bathing suits, wooden bucket or ladle)!
- Hyperthermia occurs when the internal temperature of the body reaches a level several degrees above the normal body temperature of 98,6 °F. The symptoms of hyperthermia include an increase in the internal temperature of the body, dizziness, lethargy, drowsiness, and fainting.
The effects of hyperthermia include:
 - A. Failure to perceive heat
 - B. Failure to recognize the need to exit the room
 - C. Unawareness of impending hazard
 - D. Fetal damage in pregnant women
 - E. Physical inability to exit the room
 - F. Unconsciousness
- The use of alcohol, drugs, or medication is capable of greatly increasing the risk of fatal hyperthermia.
- Use only clean tap water on the stones – do not use pool or spa water, as chlorine gas can be produced and the heating elements can be damaged!
- Sea air and a humid climate may corrode the metal surfaces of the heater.

- No such objects or devices should be placed inside the heater rock space or near the heater that could change the amount or direction of the air flowing through the heater, thus causing the resistance temperature to rise too high, which may set the wall surfaces on fire!
- Do not operate heater without stones or if the stones has been piled incorrectly. Inadequately filled stone space causes fire risk.
- Always inspect the sauna room before restarting the timer.
- Note! Use only rounded heater stones.
- Appliance is only to be used with provided support



CAUTION:

In order to avoid a hazard due to inadvertent resetting of the THERMAL CUT-OUT, this appliance must not be supplied through an external switching device, such as a timer, or connected to a circuit that is regularly switched on and off by the utility



DO NOT COVER!



BE CAREFUL OF HOT STEAM WHEN USING THE APPLIANCE!



WATCH OUT FOR THE HOT SURFACE!

Technical data

| | | HSPE60U1M | HSPE80U1M |
|-------------------------------|-------------------------------|--|--|
| Installation details | Max. Power, kW | 6 | 8 |
| | Operating Voltage | 240 VAC | 240 VAC |
| | Frequency | 50/60 Hz | 50/60 Hz |
| | Total Amperage | 25.0 | 33.3 |
| | Supply wire size, AWG | 10 | 8 |
| | | | |
| | | | |
| | Connection wire type | Copper supply wire, Temperature rating min. 194 °F / 90 °C | Copper supply wire, Temperature rating min. 194 °F / 90 °C |
| | Weight lbs / kg | 28,8 / 13 | 28,8 / 13 |
| | Stones | Rounded stones Ø 5–10 cm / ~50 kg | Rounded stones Ø 5–10 cm / ~50 kg |
| Storage temperature | 0 - 50 °C | 0 - 50 °C | |
| Dimensions | Height inch /mm | 29,5" / 750 mm | 29,5" / 750 mm |
| | Width inch /mm | 15" / 385 mm | 15" / 385 mm |
| | Depth inch /mm | 13,1" / 334 mm | 13,1" / 334 mm |
| Saunaroom | Volume Cu.Ft / m3 | 177 - 294 / 5 - 8 | 177 - 431 / 5 - 12 |
| | Floor Area Sq.Ft | 28 - 47 | 28 - 69 |
| | Saunaroom height min. inch/mm | 75 / 1900 | 75 / 1900 |
| Approved Accessories | Embedding flange | HSP1 | HSP1 |
| | Safety railing | HSP3M | HSP3M |
| Suitable Control units | | Harvia Xenio CX30-U1-U3 Harvia Xenio CX30-U1-U3-XW | Harvia Xenio CX45-U1-U3 Harvia Xenio CX45-U1-U3-XW |
| | | | |
| Control unit settings | Heater grade* | B1 | C1 |

*see control unit manual ** see circuit diagram

| HEATER MODEL | WATTS | VOLTAGE & PHASE | MIN/MAX CUBIC FT. | AMPS | MAIN BREAKER SIZE | WIRE SIZE BREAKER TO POWER UNIT | WIRE SIZE POWER UNIT TO HEATER | DIGITAL CONTROL |
|--------------|-------|-----------------|-------------------|------|-------------------|---------------------------------|--------------------------------|-----------------|
| HSP60 | 6,000 | 240/1 | 177-294 | 25 | 30A | (2) #10+ N+G | (2) #10+ (2) #14+G | CX30 |
| HSP80 | 8,000 | 240/1 | 200-431 | 33.3 | 40A | (2) #8+ N+G | (2) #8+ (2) #14+G | CX45 |

Use double pole non-GFCI type breakers
All supply wire to be 90°C copper

Heater shipping weight 34 lbs.
 Stones: 132 lbs.

Before installation**See WARNINGS AND NOTES!**

Before installing the heater, study the instructions for installation. Check the following points:

- The heater volume should be suitable for the sauna room volume. See the minimum and maximum volumes for each heater output > *Technical data*. A precondition for the given values is that the sauna room is well heatinsulated. Walls and ceiling are covered with wood panel.
- Check that supply voltage and amperages are available for the heater.
- The breakers and the connection cables conform with valid regulations and their dimensions are in accordance with > *Technical data*.
- The location is suitable for the heater > *Technical data*, > *Image 2. Safety distances*.
- **Note! Only one electrical heater may be installed in the sauna room.**

Safety distances

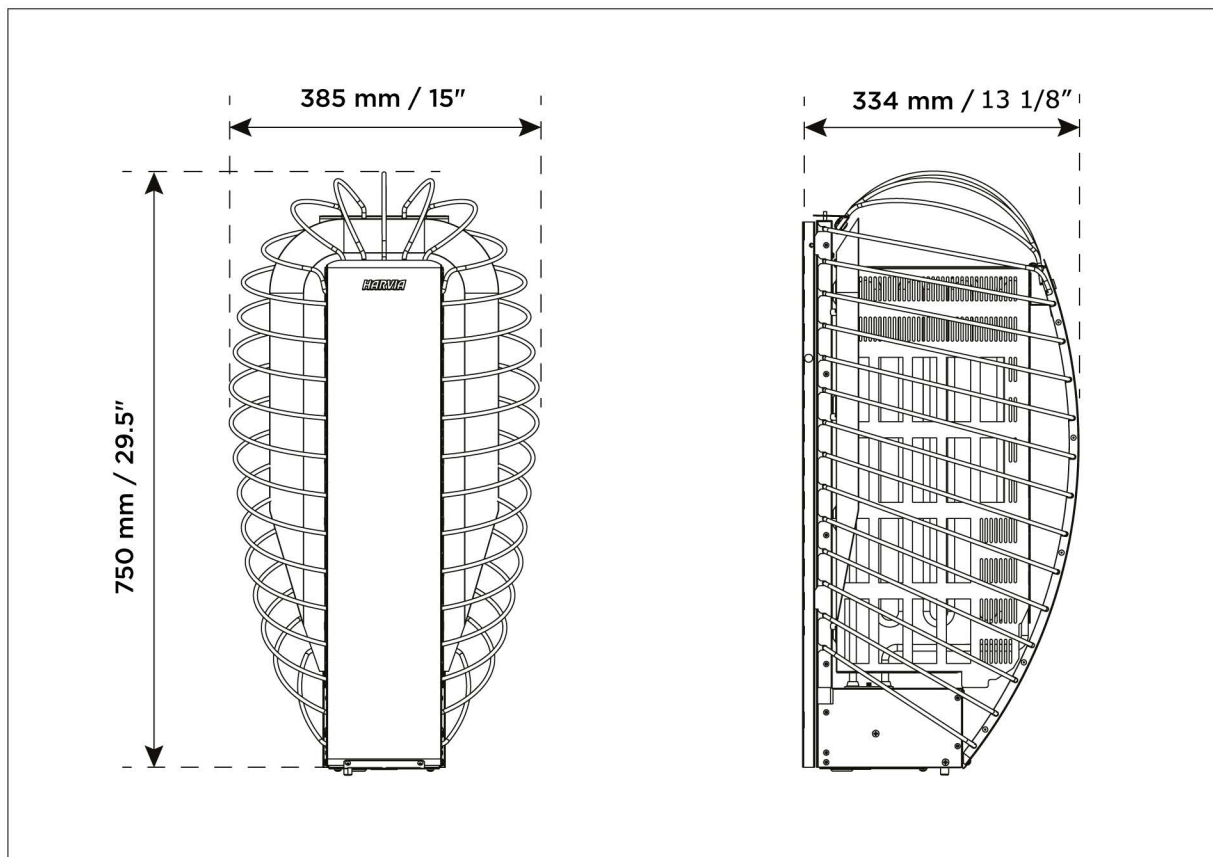
The minimum safety distances are shown in > *Image 2. Safety distances*.



It is absolutely necessary to install the heater according to these values. Neglecting them causes a risk of fire.

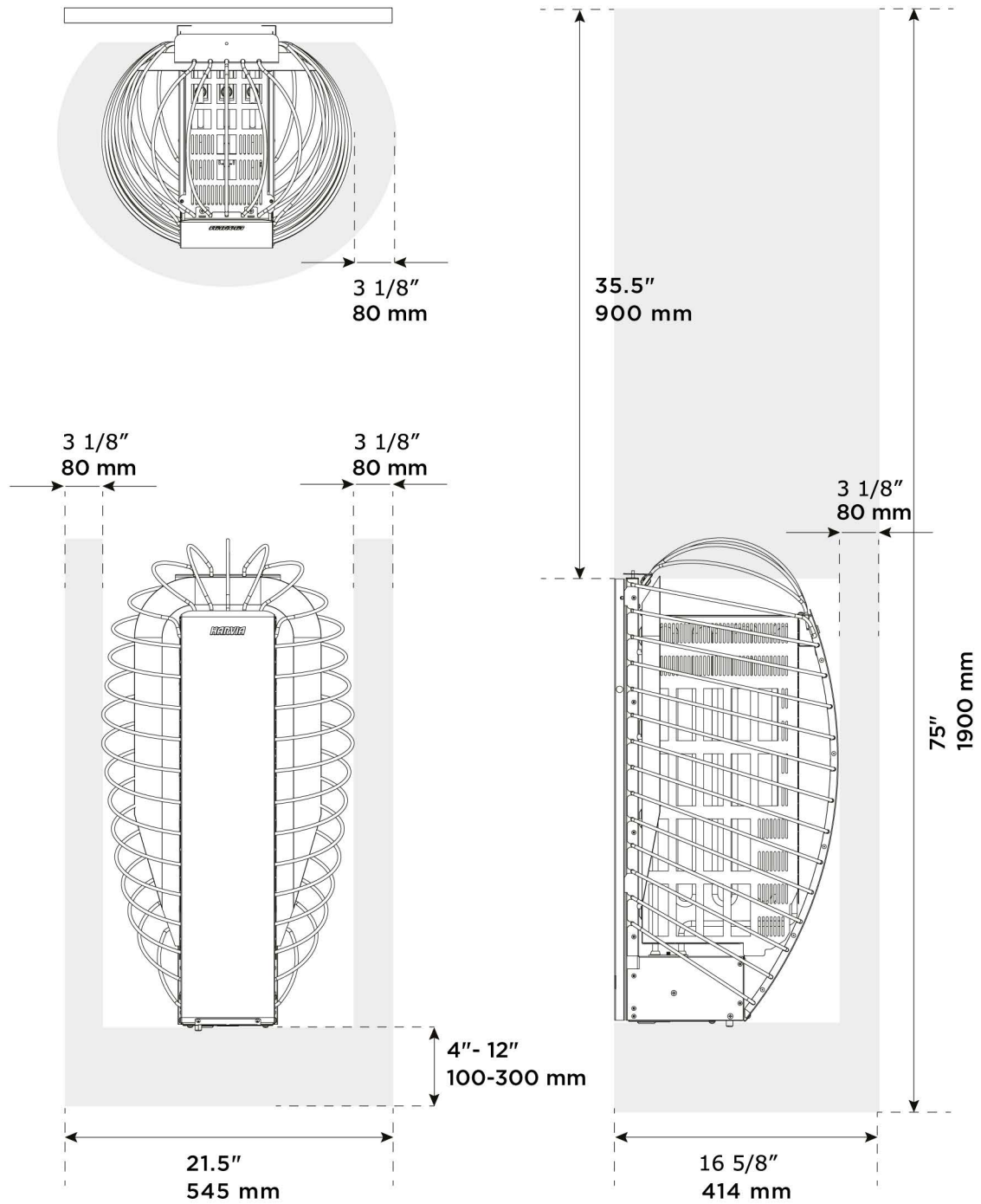


Hot pieces of stone can damage floor coverings and cause a risk of fire. The floor coverings of the installation place should be heat-resistant.



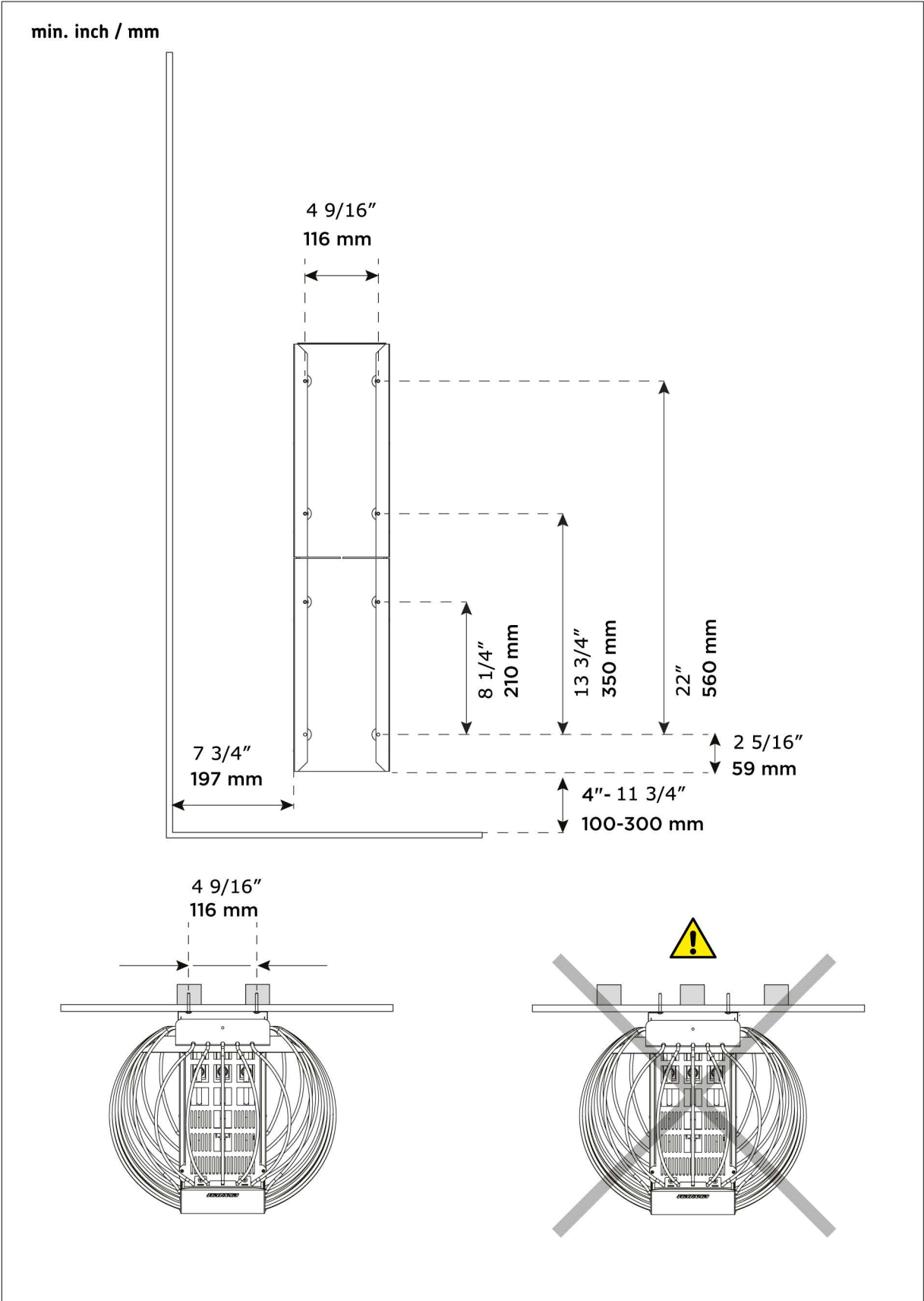
1. Dimensions

min. inch / mm

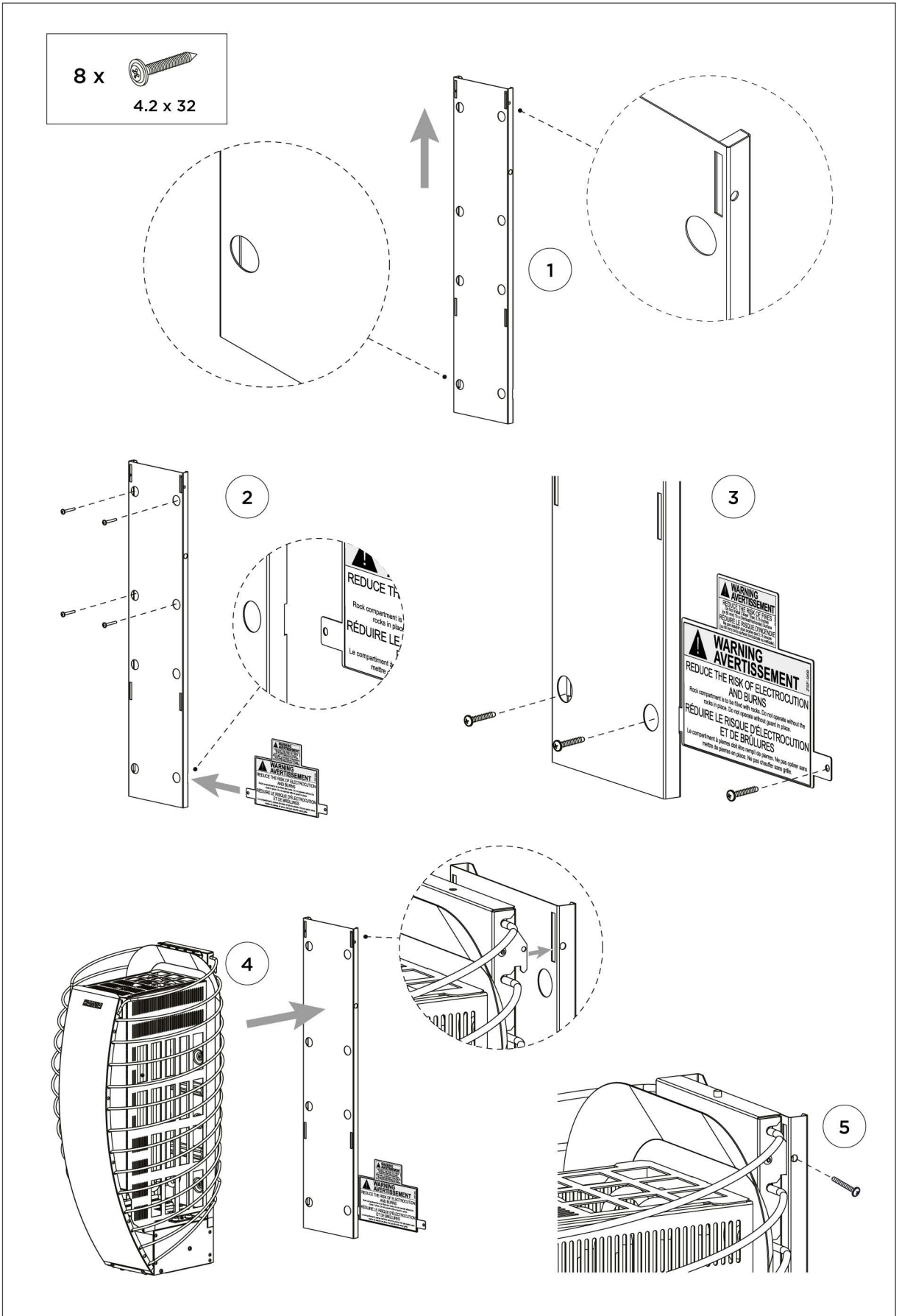


2. Safety distances

Installing the Heater



3. Installing the heater



4. Installing the heater

Placing of sauna stones



The placing of sauna stones has a major effect on the heater's safety and steam-creation properties.

See Images > *5. Piling of the Sauna Stones*, > *6. Safety function*

Important information about sauna stones:

- 50 kg is a suitable amount. The amount of stones varies, depending on the type of stone.
- Only stones with a diameter of 2-4" (5-10 cm) are allowed.
- **The stone surface may be rounded. The use of stones with a cleavage surface is not allowed.**
- Suitable stone materials are peridotite, olivine diabase and olivine.
- Ceramic 'stones' and soft soapstone are not allowed. They do not absorb enough heat as the heater is being used. Soft stones may crumble and block the air vents. This may break the heating elements and cause the product to behave unlike it was designed.
- Rinse any stone dust off the stones before placing them in the heater.

How placing the stones, observe the following:

- Start with the biggest stones, placing them at the bottom and sides. This ensures sufficient air ventilation and forms a steady base for the stone space.
- Place the stones closely against the steel grid, and loosely at the top. Make sure the heating elements are not visible between the stones. A dense layer will prevent direct heat radiation from overheating materials around the heater. Placing stones loosely in the middle will allow air to flow through the heater, heating the sauna and sauna stones well.
- Place stones one by one. Do not drop them in the stone space.
- Before using the heater for the first time, make sure that the stones cannot fall off.
- We recommended that you keep some extra stones in store to replace broken ones or to add any if the stone level becomes lower over time.



Do not place any items or devices in the stone space or its vicinity that can change the amount or direction of air flowing through the heater.



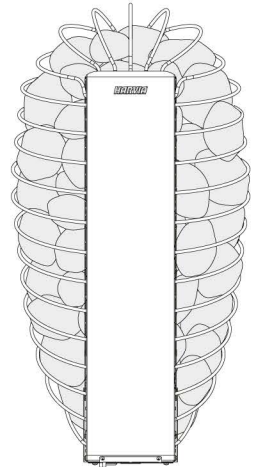
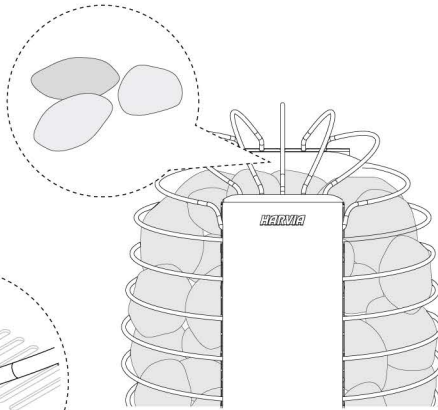
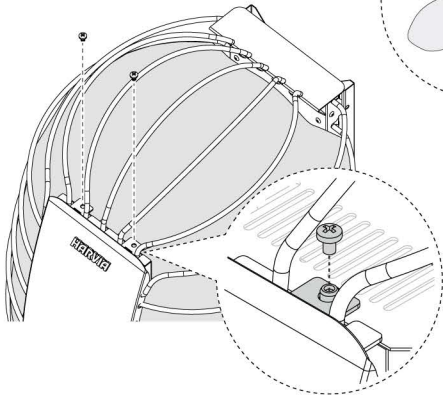
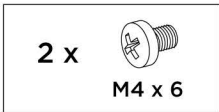
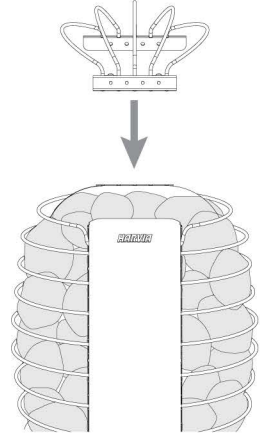
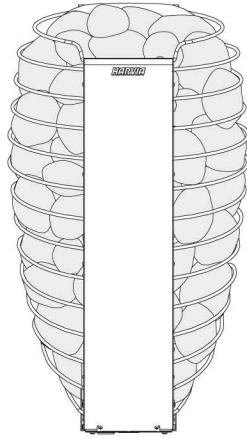
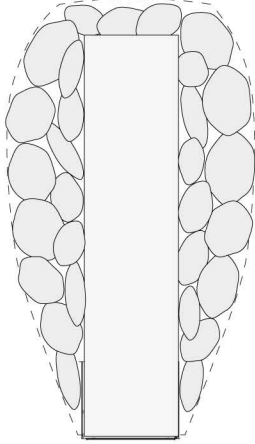
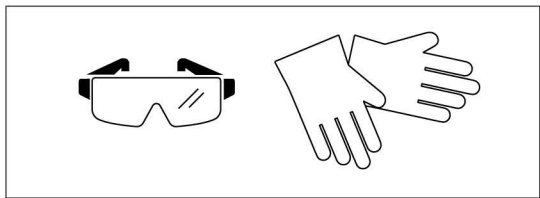
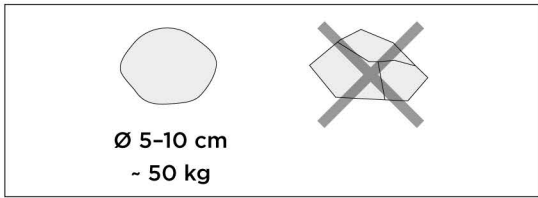
If a heating element is not surrounded by stones, it can heat materials dangerously hot, even beyond the heater's safety distances. Make sure that the heating elements are not visible beyond the stones. As the user, you are responsible for ensuring that the stone space is properly maintained throughout the heater's life cycle.

Maintenance:

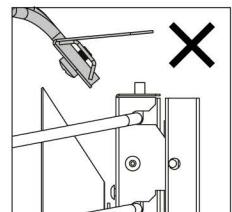
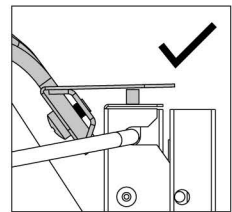
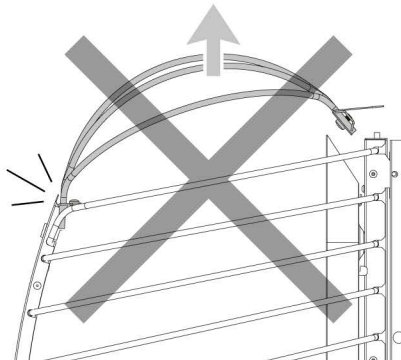
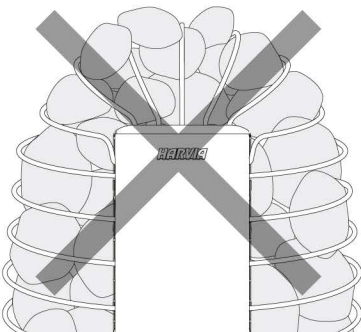
- Due to large variation in temperature, the sauna stones disintegrate in use. Rearrange the stones at least once a year or even more often if the sauna is in frequent use. Replace any disintegrated stones with new ones. By doing this, the heating capability of the heater stays optimal and the risk of overheating is avoided.



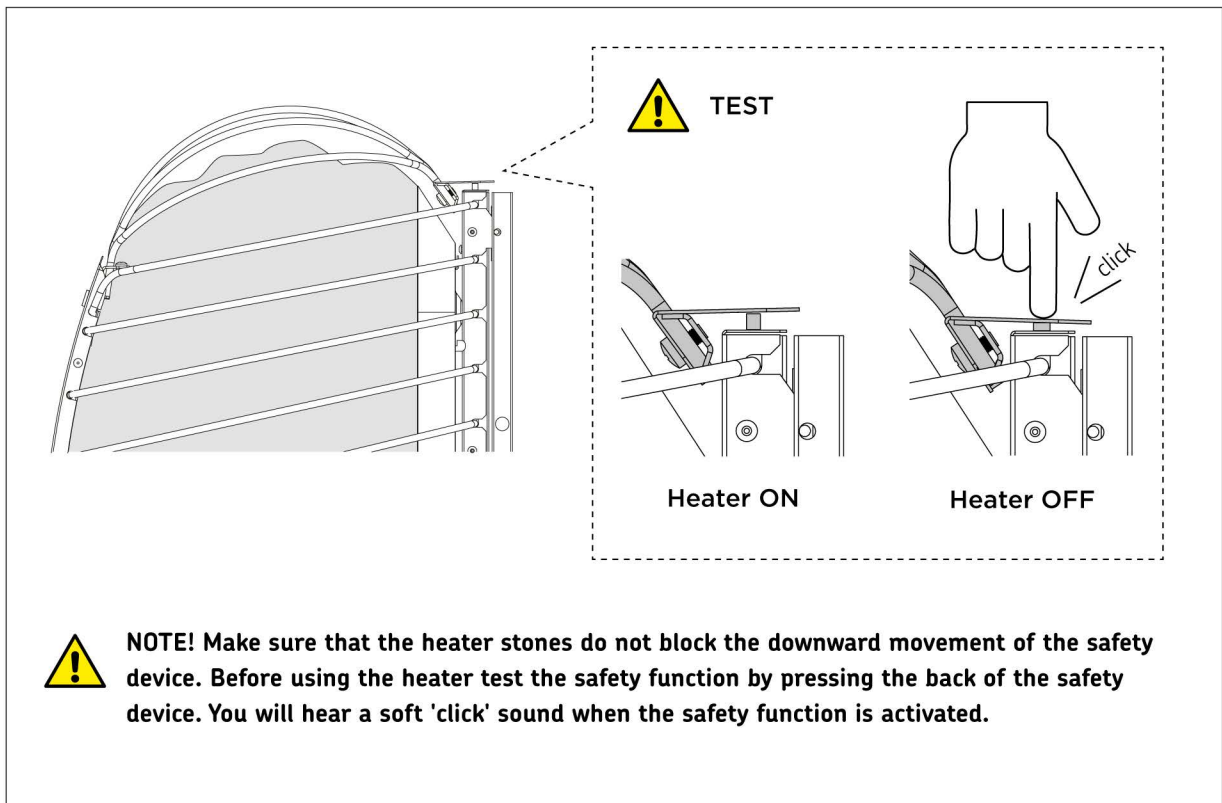
Check occasionally whether the stone level has become lower. Make sure that the heating elements do not become visible over time. The stone level is likely to become lower in about two months after the stones have been placed.



NOTE! Do not lift or bend.



5. Piling of the Sauna Stones



6. Safety function

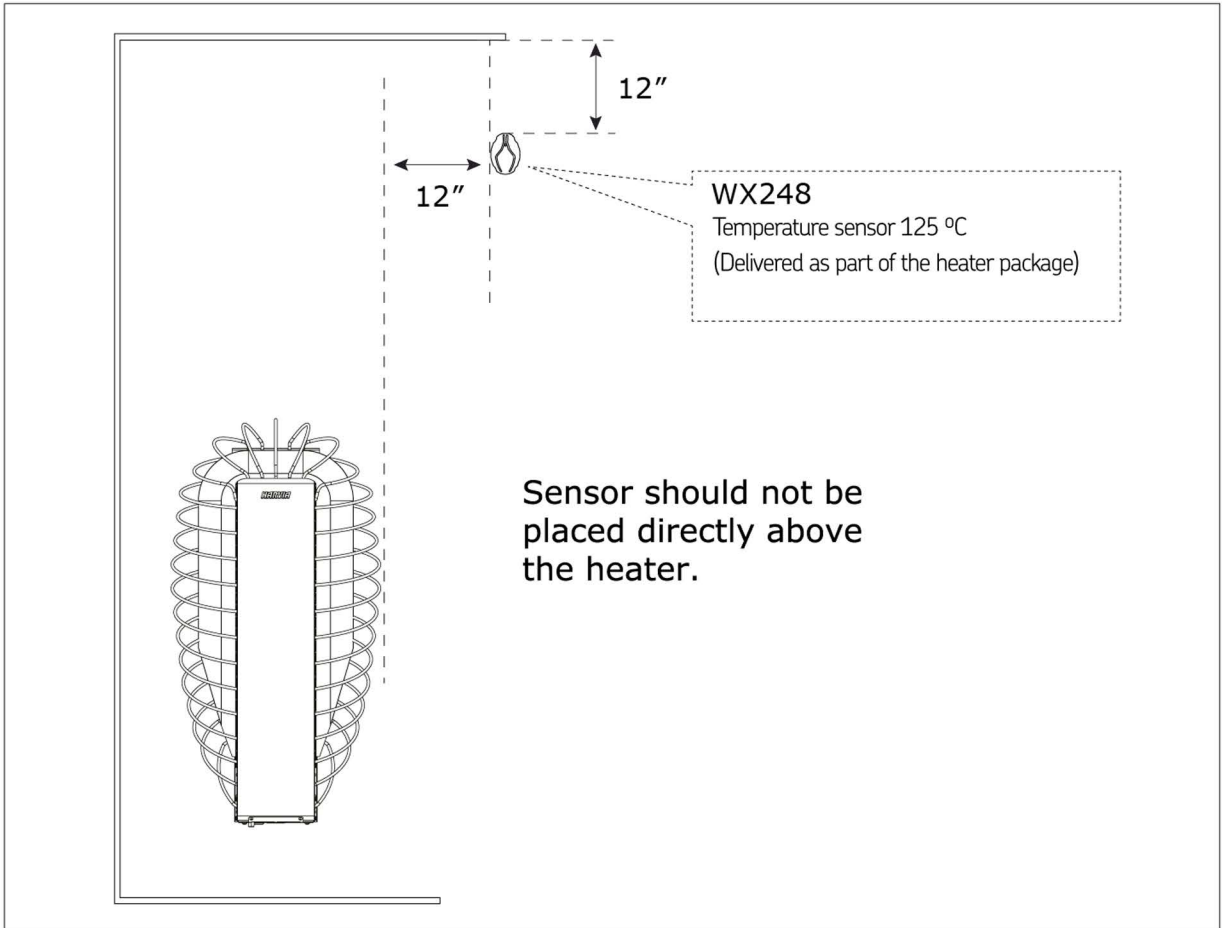
Heater Fence

It is necessary for safety and should be constructed of softwood to match sauna interior. See > *Image 2. Safety distances* for clearances from sauna heater. Fence should be attached to wall and should not be placed higher than top line of the heater

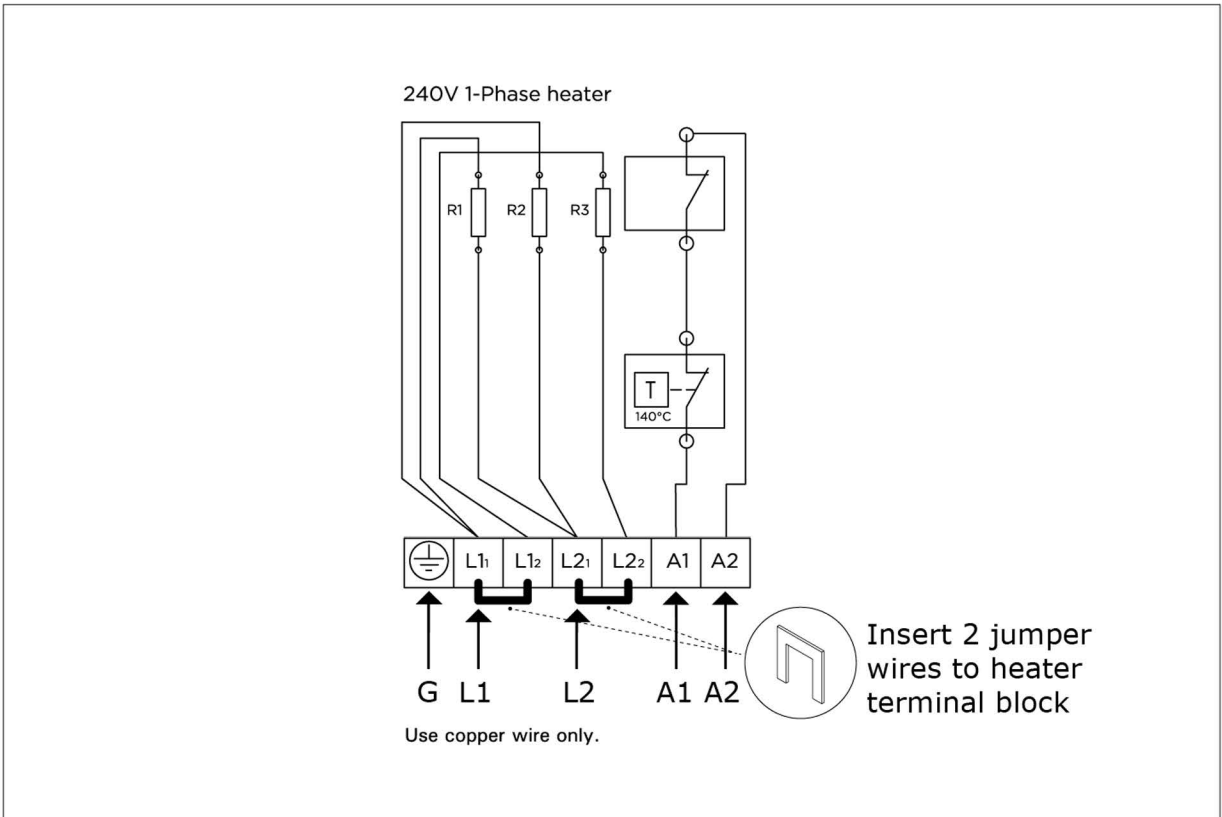
Installation of the Control Unit and Sensor

- **Suitable control units** > *Technical data*
- The control unit includes detailed instructions for fastening the unit on the wall. **Please read the instructions of the control unit.**
- Control unit heater grade setting > *Technical data*
- Install the temperature sensor (125 °C / 257 °F) delivered as part of the heater package > *Image 7. Installation of the Sensor.*

! Do not place the supply air vent so that the air flow cools the temperature sensor.



7. Installation of the Sensor



8. Electrical Connections

Electrical connections



The heater may only be connected to the electrical network in accordance with the current regulations by an authorised, professional electrician.

- > *Image 8. Electrical Connections*
 - The wiring diagrams are included in the control unit's installation instruction.
 - **Wire size from Power Unit to Electric Heater to be 10 AWG for HSP6 & 8 AWG for HSP8. Listed strain relief to be installed on Electric Sauna Heater.**
 - Further instructions concerning exceptional installations can be obtained from local electrical authorities.
1. Remove heater from carton and place in proper location in sauna room. Observe proper clearances > *Image 2. Safety distances*
 2. See applicable wiring diagram for heater model (See control unit manual for detailed instructions how to connect the heater and the control unit). Heater must be permanently installed by using seal tight conduit between the heater and the wall of the sauna room (pigtailed or plugs are not allowed in the sauna room). Wiring must be done by a licensed electrician, who must follow wiring diagram provided and adhere to local codes. Use proper AWG rated wire size and use copper wire suitable for 194 °F (90 °C) within sauna walls. Use grounding terminals provided in sauna heater and control unit to properly ground the equipment as per NEC and local codes.
 3. Inside the heater box there are two signs. Please place the metal "CAUTION" sign on the interior wall of the sauna room directly above the heater in a visible place (screws and nails included). Place the metal "WARNING" sign outside, on the door of the sauna room. "MAINTENANCE INSTRUCTIONS" are at the end of this manual.

Electric Heater Insulation Resistance

When performing the final inspection of the electrical installations, a "leakage" may be detected when measuring the heater's insulation resistance. The reason for this is that the insulating material of the heating elements has absorbed moisture from the air (storage, transport). After operating the heater for a few times, the moisture will be removed from the heating elements.



Do not connect the power feed for the heater through the RCD (residual current device)/GFI (Ground Fault Interrupter)! **Do not use GFI/GFCI on sauna heater breaker******

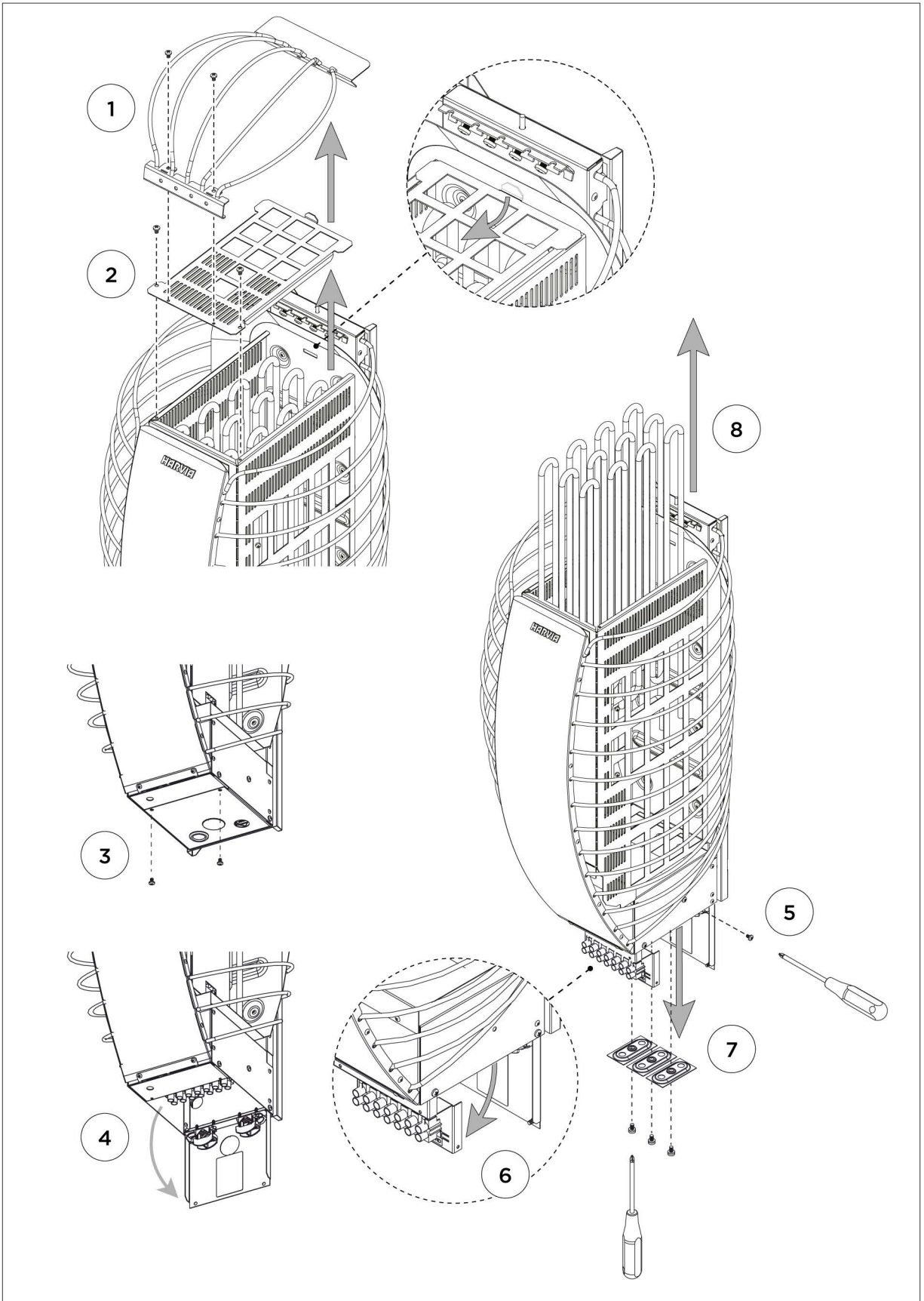
Resetting the Overheat Protector

If the temperature of the sauna room becomes dangerously high, the overheat protector will permanently cut off the supply of the heater. The overheating protectors can be reset after the heater has cooled down. Please check that the stones are piled properly and the sensor is installed according the installation instructions. **See the operating instructions of the selected control unit model.**



The reason for overheating must be resolved before resetting the overheat protector!

Replacing the Heating Elements



9. Replacing the Heating Elements



See WARNINGS AND NOTES!

See TECHNICAL DATA!

Insulation and Wall Materials of the Sauna Room

In an electrically heated sauna, all the massive wall surfaces which store plenty of heat (such as bricks, glass blocks, plaster etc.), must be sufficiently insulated in order to keep the heater output at a reasonably low level.

A wall and ceiling construction can be considered to have efficient thermal insulation if:

- the thickness of carefully fitted insulating wool inside the structure is 4" (100 mm) minimum 2" (50 mm).
- the moisture protection consists of e.g. aluminium paper. The paper must be fitted so that the glossy side is towards the inside of the sauna.
- the inside is covered by 1/2" to 3/4" thick panelling.

When aiming at a reasonable heater output, it may be advisable to lower the ceiling of the sauna (minimum height 82,7" (2100 mm)). As a result, the volume of the sauna is decreased, and a smaller heater output may be sufficient. The ceiling can be lowered so that the ceiling joists are fixed at a suitable height. The spaces between the joists are insulated (minimum insulation 4" (100 mm)) and surfaced as described above. Because heat goes upwards, a maximum distance of 47" (1200 mm) is recommended between the bench and ceiling.

NOTE! The protection of the walls or ceiling with heat protection, such as mineral board fitted directly on the wall or ceiling, may cause the temperature of the wall and ceiling materials to rise dangerously high.

| ROOM CONSTRUCTION – GENERAL INFORMATION | |
|---|---|
| FRAMING | 2" x 4" (50 x 100 mm) any suitable wood material, 16" (406 mm) o.c. |
| CEILING HEIGHT | No higher than 7'6" (2300 mm). |
| INSULATION | R13 Fiberglass in walls and ceiling. |
| DRYWALL | See local codes. Is not required in most residences. See local codes for commercial. If drywall is used apply 1" x 2" (25 x 50 mm) nailers so that wall and ceiling boards can be attached to solid wood. |
| PANELING | Use kiln-dried softwood (with moisture content not exceeding 11 %). |
| BENCHES | Use matching softwood. Fasten from bottom to prevent burning of bathers. |
| DOOR | Must open out and should not have locking or latching system. Types of door fastenings that may be used are magnetic catches, friction catches, spring-loaded or gravity loaded door closers, and the like. |
| ROOM LIGHT | Should be a vapor proof, wall mounted type, with rough-in box mounted flush with inside paneling. It should be mounted 6" (150 mm) from ceiling, not directly over the sauna heater, and not over upper benches. It could be installed under benches. Light bulb should not exceed recommended watts of the light manufacturer. |

NOTE! Receptacles OR PLUGS are not allowed in a Sauna room. If a speaker is installed in a Sauna room, it should not be installed higher than 3' (914 mm) from floor, away from the Sauna heater (consult manufacturer for ratings).

Blackening of the Sauna Walls

It is perfectly normal for the wooden surfaces of the sauna room to blacken in time. The blackening may be accelerated by:

- sunlight
- heat from the heater
- protective agents on the walls (protective agents have a poor heat resistance level)
- fine particles disintegrating from the sauna stones which rise with the air flow.

Sauna Room Floor

Due to a large variation in temperature, the sauna stones disintegrate in use. Small pieces of stone are washed down on the sauna room floor along with the water thrown on the rocks. To prevent aesthetic damage only dark joint grouts and floor coverings made of rock materials should be used underneath and near the heater.

Heater Output

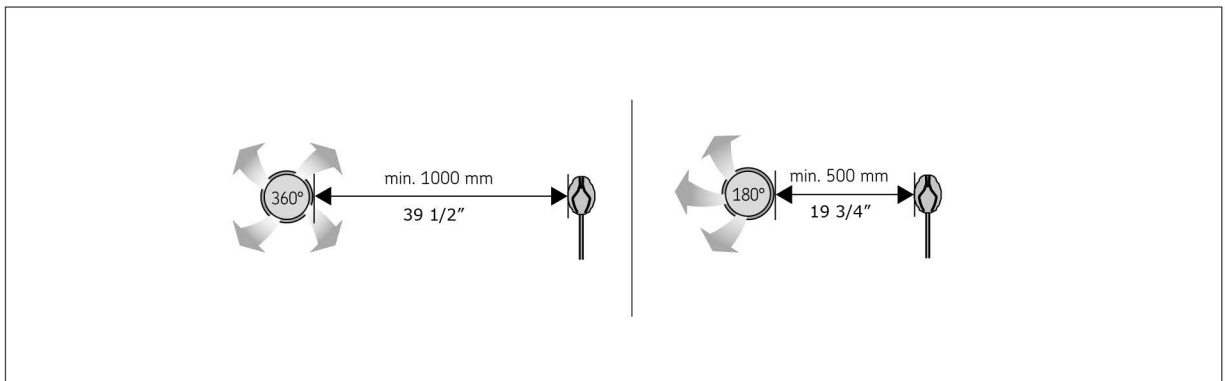
When the walls and ceiling are covered with panels and insulation behind the panels is adequate, the heater output is defined according to the volume of the sauna. Non-insulated walls (brick, glass block, glass, concrete, tile, etc.) increase the need for heater output. Add 1,2 m³ to the volume of the sauna for each non-insulated wall square meter. For example, a 10 m³ sauna room with a glass door equals the output requirement of about a 12 m³ sauna room. Because log walls are heated slowly, the cubic volume of a log sauna should be multiplied by 1.5, and the heater output should then be selected on the basis of this information. **Choose the correct heater output > Technical data**

Sauna room ventilation



Note! Do not place the supply air vent so that the air flow cools the temperature sensor

- The air in the sauna room should change six times per hour.
- If natural ventilation is used, air supply vent should be placed under or next to the heater.
- Place the exhaust air vent near the ceiling, as far away from the heater as possible.
- The sauna can also be dried by leaving the door open after bathing.



10. The air vent's minimum distance from the sensor.

Sauna Room Hygiene

Good hygienic standards of the sauna room will make bathing a pleasant experience.

- The use of sauna seat towels is recommended to prevent sweat from flowing onto the platforms. The towels should be washed after each use. Separate towels should be provided for guests.
- It is advisable to vacuum or sweep the floor of the sauna room. The floor may be wiped with a damp cloth.
- The sauna room should be thoroughly washed at least every six months. Brush the walls, platforms and floor by using a scrubbing-brush and sauna cleanser. Then rinse the saunaroom by using clean household water.
- Remove lime stains from the heater using a 10% citric acid solution and rinse.
- Wipe dust and dirt from the heater with a damp cloth.



See **WARNINGS AND NOTES!**
See **TECHNICAL DATA!**

Heating of the Sauna

When operating the heater for the first time, both the heater and the stones emit smell. To remove the smell, the sauna room needs to be efficiently ventilated. If the heater output is suitable for the sauna room, it will take about an hour for a properly insulated sauna to reach the required bathing temperature. The sauna stones normally reach the bathing temperature at the same time as the sauna room. A suitable temperature for the sauna room is about 149–176 °F (65–80 °C).

Using the Heater



Before switching the heater on always check that no objects have been placed on top of the heater or inside the given safety distance.



Always inspect the sauna room before restarting the timer.

Heaters are controlled using a separate control unit. See the instructions for use of the selected control unit model.

Throwing Water on Heated Stones

The air in the sauna room becomes dry when warmed up. Therefore, it is necessary to throw water on the heated stones to reach a suitable level of humidity in the sauna. The effect of heat and steam on people varies – by experimenting, you can find the levels of temperature and humidity that suit you best. Aim water only on the stones.



The maximum volume of the ladle is 0.2 litres. If an excessive amount of water is poured on the stones, only part of it will evaporate and the rest may splash as boiling hot water on the bathers. Never throw water on the stones when there are people near the heater, because hot steam may burn their skin.

Water quality requirements

The water to be thrown on the heated stones should meet the requirements of clean household water. Only special aromas designed for sauna water may be used. Follow the instructions given on the package.

| Water properties | Effect | Recommendation |
|--|------------------------------------|------------------|
| Humus concentration | Colour, taste, precipitates | <12 mg/l |
| Iron concentration | Colour, odour, taste, precipitates | <0,2 mg/l |
| Manganese (Mn) concentration | Colour, odour, taste, precipitates | <0,10 mg/l |
| Hardness: most important substances are magnesium (Mg) and lime, i.e. calcium (Ca) | Precipitates | Ca: <100 mg/ |
| Chloride-containing water | Corrosion | Cl: <100 mg/l |
| Chlorinated water | Health risk | Forbidden to use |
| Seawater | Rapid corrosion | Forbidden to use |
| Arsenic and radon concentration | Health risk | Forbidden to use |

Instructions for Bathing



See **WARNINGS AND NOTES!**

- Begin by washing yourself.
- Stay in the sauna for as long as you feel comfortable.
- Forget all your troubles and relax.
- According to established sauna conventions, you must not disturb other bathers by speaking in a loud voice.
- Do not force other bathers from the sauna by throwing excessive amounts of water on the stones.
- Cool your skin down as necessary. If you are in good health, you can have a swim if a swimming place or pool is available.
- Wash yourself after bathing.
- Rest for a while and let your pulse go back to normal. Have a drink of fresh water or a soft drink to bring your fluid balance back to normal

Troubleshooting



All service operations must be done by professional licensed maintenance personnel

The heater does not heat up.

- Check that the breakers to the heater are in good condition.
- Check that the connection cable is connected.
- Check that the control panel shows a higher figure than the temperature of the sauna.
- Check that the overheat protectors have not gone off.
- Check that the breaker is switched on. Also, breaker should be correct size.

The sauna room heats slowly. Water thrown on the sauna stones cools down the stones quickly

- Check that the breakers to the heater are in good condition.
- Check that all heating elements glow when the heater is on.
- Turn the temperature to a higher setting.
- Check that the heater output is sufficient.
- Check that the sauna room ventilation has been arranged correctly.

The sauna room heats quickly, but the temperature of the stones remain insufficient. Water thrown on the stones runs through.

- Turn the temperature to a lower setting.
- Check that the heater output is not too high.
- Check that the sauna room ventilation has been arranged correctly.

Panel or other material near the heater blackens quickly.

- Check that the requirements for safety distances are fulfilled.
- Check that no heating elements can be seen behind the stones. If heating elements can be seen, rearrange the stones so that the heating elements are covered completely.
- Also see section > *Blackening of the Sauna Walls*

The heater emits smell.

- See section > *Heating of the Sauna*
- A hot heater may emphasize odours mixed in the air that are not, however, caused by the sauna or the heater.
Examples: paint, glue, oil, seasoning.

The heater makes noise.

- Occasional bangs are most likely caused by stones cracking due to heat.
- The thermal expansion of heater parts can cause noise when the heater warms up.

Maintenance Instructions

1. Use only clean water on sauna stones. Do not use spa or pool water as it will destroy your heater.
2. Clean water should always be used in sauna buckets and water should be dumped out after every use. Scour buckets and dippers occasionally when film collects from usage. Use plastic bucket liner in bucket to prevent water leakage.
3. Scrub benches with a soft brush, using soap and water or a mild disinfectant, when needed— about once a week in commercial saunas, or depending upon sauna usage. For sanitation, each bather should sit or lie on a towel (this will prolong bench life).
4. Remove possible removable flooring and wash waterproof floor with disinfectant about once a week or as often as needed. Hose off removable flooring to clean.
5. To maintain beautiful appearance of sauna heater, remove water stains by wiping with a damp cloth occasionally.
6. Our heaters require no special maintenance when properly installed by a qualified electrical contractor. Rocks may need replacing if they have crumbled or powdered (depending upon sauna usage).
7. We strongly recommend a floor that can be easily cleaned (concrete, ceramic tile, or a poured type of flooring). When this is provided, the sauna can be easily cleaned and kept in a sanitary condition with little effort. A carpet is NOT recommended for a sauna! A carpet becomes a perfect breeding ground for bacteria in the moist conditions of a sauna; and a carpet promotes the spread of foot diseases such as athlete's foot. For the same reasons, wooden duckboard should not be used for flooring.
8. In new construction, a floor drain should also be provided, especially in commercial saunas for sanitary cleaning and maintenance.
9. Seal wood around glass door—inside and outside—with waterproofing wood protect or to prevent warpage.
10. When sauna wood becomes stained from perspiration, the wood may be lightly sanded with fine sandpaper to restore beautiful appearance. We do not recommend stains or sealers as toxic vapors may appear when heated. However, 2 coats of waterproofing wood protector may be used on the woodbenches in a commercial sauna, so that the wood may be more easily cleaned and kept sanitary — the wood will not absorb perspiration.
11. The sauna room will heat faster if the higher vent is kept in a closed position when heating. The lower vent may always be kept in an open position.
12. Required warning signs should be posted according to the instructions.

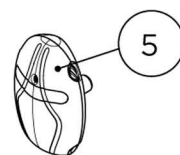
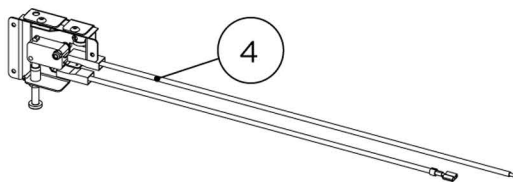
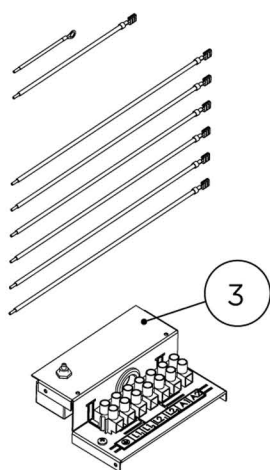
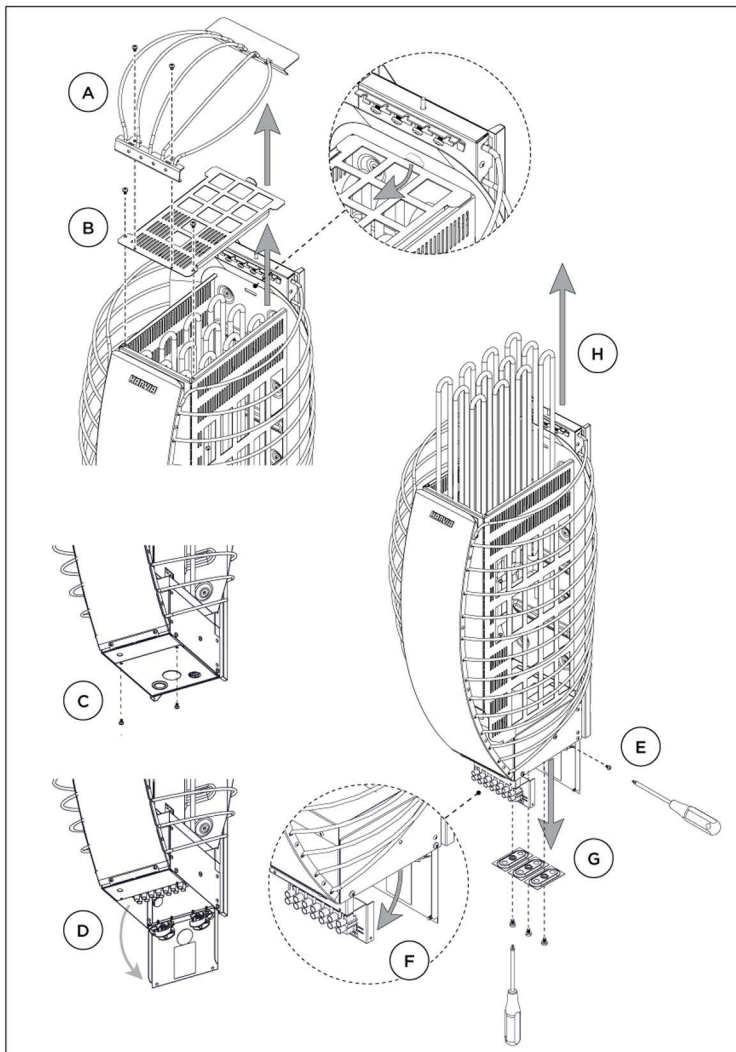
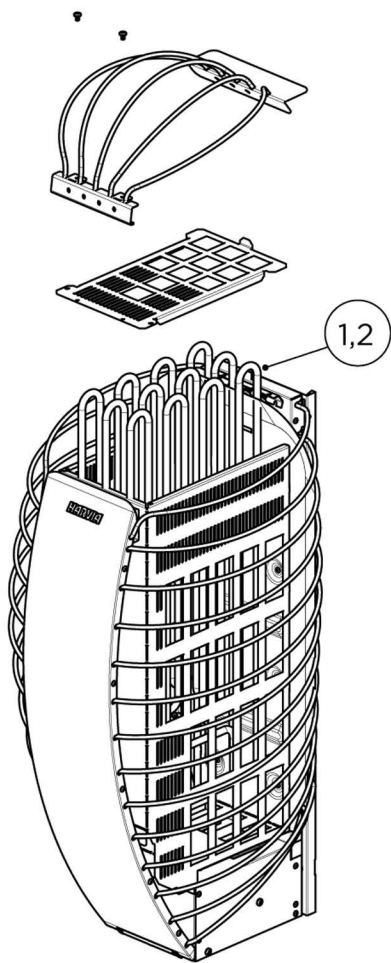
Guarantee

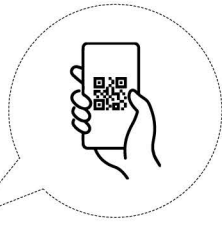
- The manufacturer gives a one year guarantee for this heater. The guarantee starts from the date of purchase and includes all the parts of the heater (heating elements, controls, contactors, etc.).
- The guarantee covers faults from the manufacture and material only. The guarantee includes a supply of spare parts by the manufacturer or importer after the faulty parts have been returned. Replacing any parts in the heater does not extend the original guarantee period of one year.
- The guarantee does not cover defects caused by normal wear and tear, defects caused by improper installation, poor maintenance or failure to follow the manufacturer's instructions for installation, use and care, or alterations made to the product. The guarantee is void if the heater is used improperly. The guarantee does not cover delivery costs of the faulty part or repair costs on the field. If the heater is returned to the manufacturer or importer within five years from the date of purchase, the importer will provide free repair work, but may charge for spare parts if the one-year guarantee has expired.
- The guarantee is void if installation and wiring has not been carried out by licensed electrician or authorized and licensed service representative. Please note that the installers signature is needed below.
- The guarantee is void if the information below is not filled out and returned to the manufacturer or importer within 15 days of purchase. The guarantee applies only to the first installation of the product and to the original purchaser.

Spirit

HSPE60U1M, HSPE80U1M

| No | Name | Item code |
|----|-------------------------------|--------------|
| 1 | Heater element 2650 W / 240 V | SPY10-0020SP |
| 2 | Heater element 2000 W / 240 V | SPY10-0021SP |
| 3 | Electric set 240V | SPZHK-018 |
| 4 | Safety device switch set | SPZHK-036 |
| 5 | Temperature sensor 125 °C | SP248 |





Harvia heater model,

Serial number

Date of purchase

Original purchaser

Address

Purchased from

Date of electrical installation

Signature of the installer

Licensed number of installer
