

# HARVIA



## CILINDRO HEATER WITH BUILT-IN CONTROLS

### **EN** Owner's/Operator's Manual

Sauna heater installation, wiring, operating instructions, troubleshooting, maintenance and guarantee.

**IMPORTANT!** This manual must be left with owner, manager, or operator of Sauna after it is used by electrician!

#### MODEL

HPCS6U1HB	6.0 kW
HPCS8U1HB	8.0 kW
HPCS9U1HB	9.0 kW



ETL LISTED  
CONFORMS TO  
UL STD 875  
CERTIFIED TO  
CAN/CSA STD  
E60335-2-53-05



## CONTENTS

WARNINGS .....	3
<b>1. INSTRUCTIONS FOR USE .....</b>	<b>4</b>
1.1. Piling of the Sauna Stones .....	4
1.1.1. Maintenance .....	4
1.2. Heating of the Sauna .....	4
1.3. Using the Heater .....	5
1.3.1. Heater On .....	5
1.3.2. Pre-setting Time (timed switch-on) .....	5
1.3.3. Heater Off .....	5
1.3.4. Setting the Temperature .....	5
1.4. Throwing Water on Heated Stones .....	5
1.5. Instructions for Bathing .....	6
1.6. Troubleshooting .....	6
<b>2. THE SAUNA ROOM .....</b>	<b>7</b>
2.1. Insulation and Wall Materials of the Sauna Room ..	7
2.1.1. Room construction – general information .....	7
2.1.2. Darkening of the Sauna Walls .....	7
2.2. Sauna Room Floor .....	7
2.3. Heater Output .....	7
2.4. Sauna Room Ventilation .....	7
2.5. Hygienic Conditions of the Sauna Room .....	8
<b>3. INSTRUCTIONS FOR INSTALLATION .....</b>	<b>9</b>
3.1. Prior to Installation .....	9
3.2. Place and Safety Distances .....	9
3.3. Heater fence .....	9
3.4. Electrical Connections .....	10
3.5. Installing the Heater .....	10
3.6. Electric heater insulation resistance .....	10
3.7. Resetting the Overheat Protector .....	11
<b>4. SPARE PARTS .....</b>	<b>12</b>
<b>GUARANTEE .....</b>	<b>23</b>
<b>MAINTENANCE INSTRUCTIONS .....</b>	<b>24</b>

PLEASE READ THE INSTRUCTIONS FOR USE CAREFULLY BEFORE USING THE HEATER.



### WARNINGS

- Keep away from the heater when it is hot. The stones and outer surface of the heater may burn your skin.
- Do not throw too much water on the stones. The evaporating water is boiling hot.
- Do not let young, handicapped or ill people bathe in the sauna on their own.
- This appliance is not intended for use by persons (including children) with reduced physical, sensory or mental capabilities, or lack of experience and knowledge, unless they have been given supervision or instruction concerning use of the appliance by a person responsible for their safety. Children should be supervised to ensure that they do not play with the appliance.
- Consult your doctor about any health-related limitations to bathing.
- Parents should keep children away from the hot heater.
- Consult your child welfare clinic about taking little babies to the sauna.
  - age?
  - temperature of the sauna?
  - time spent in the warm sauna?
- Be very careful when moving in the sauna, as the platform and floors may be slippery.
- Do not smoke, use alcohol, or exercise in the sauna.
- Do not exceed 30 min. in the sauna at one time, as excessive exposure can be harmful to health. The sauna should not be used as an endurance test.
- Persons with poor health should consult their physicians before using the sauna.
- Do not place any combustible material over the sauna heater (towels, bathing suits, wooden bucket or ladle)!
- Hyperthermia occurs when the internal temperature of the body reaches a level several degrees above the normal body temperature of 98,6 °F. The symptoms of hyperthermia include an increase in the internal temperature of the body, dizziness, lethargy, drowsiness, and fainting.

The effects of hyperthermia include:

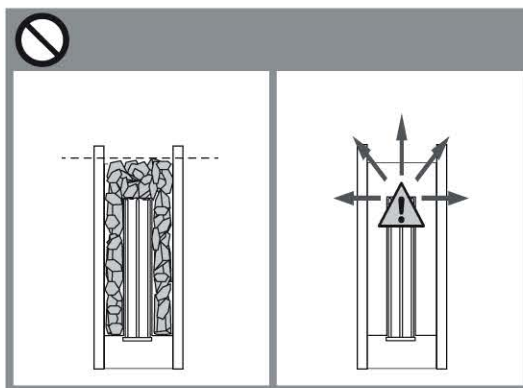
- A. Failure to perceive heat
- B. Failure to recognize the need to exit the room
- C. Unawareness of impending hazard
- D. Fetal damage in pregnant women
- E. Physical inability to exit the room
- F. Unconsciousness

**WARNING** – the use of alcohol, drugs, or medication is capable of greatly increasing the risk of fatal hyperthermia.

- Use only clean tap water on the stones – do not use pool or spa water, as chlorine gas can be produced and the heating elements can be damaged!
- Sea air and a humid climate may corrode the metal surfaces of the heater.
- No such objects or devices should be placed inside the heater rock space or near the heater that could change the amount or direction of the air flowing through the heater, thus causing the resistance temperature to rise too high, which may set the wall surfaces on fire!
- Do not operate heater without stones or if the stones has been piled incorrectly. Inadequately filled stone space causes fire risk.



Watch out for the hot surface!



**Purpose of the electric heater:**

The HPC electric heater is intended for use in a well heat-insulated family sauna. It is forbidden to use the heater for any other purposes.

The guarantee period of an HPC electric heater in family use is one year and in communal use, 3 months. Please read the user's instructions carefully before using the heater.

**NOTE!**

These instructions for installation and use are intended for the owner or the person in charge of the sauna, as well as for the electrician in charge of the electrical installation of the heater.

# 1. INSTRUCTIONS FOR USE

## 1.1. Piling of the Sauna Stones

The piling of the sauna stones has a great effect on both the safety and the heating capability of the heater.

### Important information on sauna stones:

- The stones should be 2-4" (5-10 cm) in diameter.
- Use solely angular split-face sauna stones that are intended for use in a heater. Peridotite, olivine-dolerite and olivine are suitable stone types.
- Neither light, porous ceramic "stones" nor soft soapstones should be used in the heater. They do not absorb enough heat when warmed up. This can result in damage to heating elements.
- **Wash off dust from the stones before piling them into the heater.**

### Please note when placing the stones:

- **The aim is to pile a dense layer of stones against the steel grid and pile the rest of the stones loosely.** The dense layer prevents the direct heat radiation from overheating materials around the heater. **Be especially careful with the corners where the heating elements are near the grid.** The loose piling of stones in the middle lets the air flow through the heater, resulting in good heating of sauna and sauna stones.
- Do not drop stones into the heater.
- Do not wedge stones between the heating elements.
- Pile the stones so that they support each other instead of lying their weight on the heating elements.
- Support the heating elements with stones so that the elements stay vertically straight.
- Do not form a high pile of stones on top of the heater.

- No such objects or devices should be placed inside the heater stone space or near the heater that could change the amount or direction of the air flowing through the heater.

**⚠ A bare heating element can endanger combustible materials even outside the safety distances. Check that no heating elements can be seen behind the stones.**

### 1.1.1. Maintenance

Due to large variation in temperature, the sauna stones disintegrate in use.

Rearrange the stones at least once a year or even more often if the sauna is in frequent use. At the same time, remove any pieces of stones from the bottom of the heater and replace any disintegrated stones with new ones. By doing this, the heating capability of the heater stays optimal and the risk of overheating is avoided.

**⚠ Pay attention especially to the gradual settling of the stones. Be sure that the heating elements do not appear with time. The stones settle most rapidly within the first two months of piling.**

## 1.2. Heating of the Sauna

When operating the heater for the first time, both the heater and the stones emit smell. To remove the smell, the sauna room needs to be efficiently ventilated.

If the heater output is suitable for the sauna room, it will take about **45 to 50 minutes** for a properly insulated sauna to reach the required bathing temperature (▷ 2.3.). The sauna stones normally reach the bathing temperature at the same time as the sauna room.

**⚠ Before switching the heater on always check that there isn't anything on top of the heater or inside the given safety distance.**

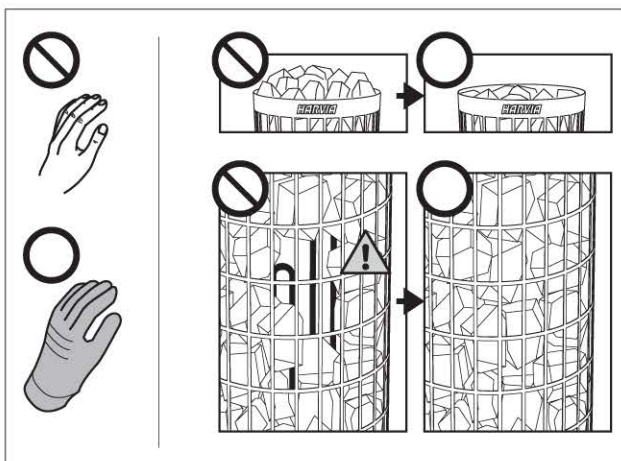


Figure 1. Piling of the sauna stones

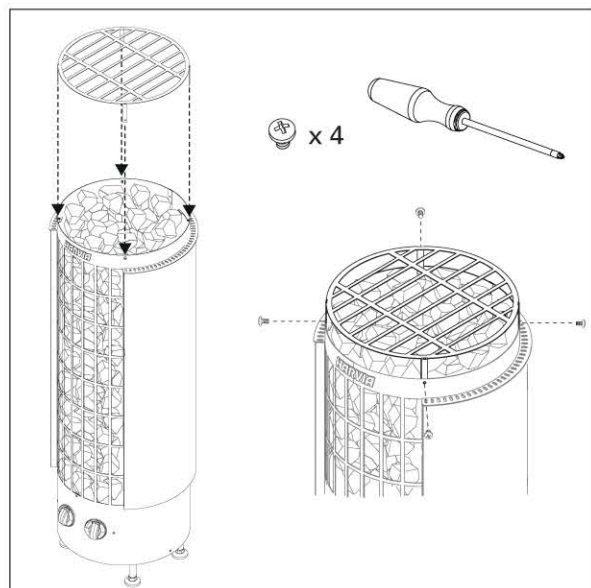


Figure 2. Installing the safety grid

Water property	Effect	Recommendation
Humus concentration	Colour, taste, precipitates	< 12 mg/l
Iron concentration	Colour, odour, taste, precipitates	<0,2 mg/l
Hardness: most important substances are manganese (Mn) and lime, i.e. calcium (Ca)	Precipitates	Mn: <0,05 mg/l Ca: < 100 mg/l
Chlorinated water	Health risk	Forbidden to use
Seawater	Rapid corrosion	Forbidden to use

Table 1. Water quality requirements

### 1.3. Using the Heater

Heater models are equipped with a timer and a thermostat. The timer is for setting the on-time for the heater (60 minutes) and the thermostat is for setting a suitable temperature. > 1.3.1.–1.3.4.

#### 1.3.1. Heater On (Turn on now)



Turn the timer switch (section A in figure 3) past the first 1 to number 2 or 3 on the dial. Then turn backward to the first 1 until you hear a click. The heater starts heating immediately. Allow at least 30 minutes for sauna room to heat up to an average Sauna temperature.

#### 1.3.2. Time Delay (Set to turn on later)



Turn the timer switch to the "pre-setting" section (section B in figure 3, 0–8 hours). The heater starts heating when the timer has turned the switch back to the "on" section (section A in figure 3). After this, the heater will be on for an hour.

*Example: You want to go walking for two and half hours and have a sauna bath after that. Turn the timer switch to the "pre-setting" section at number 2.*

*The timer starts. After two hours, the heater starts heating. Because it takes about half an hour for the sauna room to be heated, it will be ready for bathing after about two and half hours, that is, when you come back from your walk.*

#### 1.3.3. Heater Off



The heater switches off, when the timer turns the switch back to zero. You can switch the heater off at any time by turning the timer switch to zero yourself.

Switch the heater off after bathing. Sometimes it may be advisable to leave the heater on for a while to let the wooden parts of the sauna dry properly.

**⚠ Always check that the heater has switched off and stopped heating after the timer has turned the switch to zero.**

#### 1.3.4. Setting the Temperature

The purpose of the thermostat (figure 3) is to keep the temperature in the sauna room on a desired level. By experimenting, you can find the setting that suits you best.

*Begin experimenting at the maximum position. If, during bathing, the temperature rises too high, turn the switch counter-clockwise a little. Note that even a small difference within the maximum section will change the temperature of the sauna considerably.*

### 1.4. Throwing Water on Heated Stones

The air in the sauna room becomes dry when warmed up. Therefore, it is necessary to throw water on the heated stones to reach a suitable level of humidity in the sauna. The effect of heat and steam on people varies – by experimenting, you can find the levels of temperature and humidity that suit you best.

Heater not heating? Make sure timer is not in time delay mode.

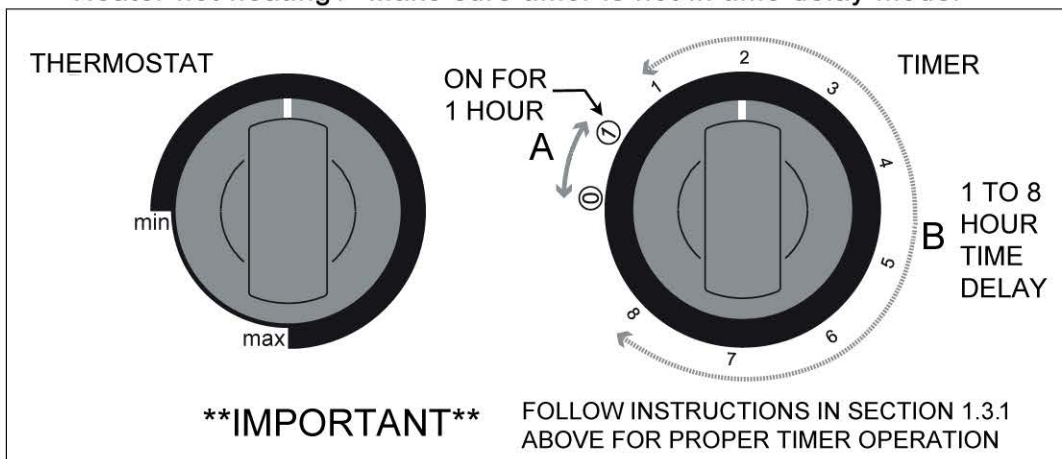



Figure 3.

You can adjust the nature of the heat from soft to sharp by throwing water either to the front of the heater or straight on top of the stones.


 **Do not pour more than a dipper (8 oz.) of water at a time. If an excessive amount of water is poured on the stones, only part of it will evaporate and the rest may splash as boiling hot water on the bathers. Never throw water on the stones when there are people near the heater, because hot steam may burn their skin.**

The water to be thrown on the heated stones should meet the requirements of clean household water (table 1). Only special aromas designed for sauna water may be used. Follow the instructions given on the package.

### 1.5. Instructions for Bathing

- Begin by washing yourself.
- Stay in the sauna for as long as you feel comfortable.
- Forget all your troubles and relax.
- According to established sauna conventions, you must not disturb other bathers by speaking in a loud voice.
- Do not force other bathers from the sauna by throwing excessive amounts of water on the stones.
- Cool your skin down as necessary. If you are in good health, you can have a swim if a swimming place or pool is available.
- Wash yourself after bathing.
- Rest for a while and let your pulse go back to normal. Have a drink of fresh water or a soft drink to bring your fluid balance back to normal.

### 1.6. Troubleshooting

 **All service operations must be done by professional licensed maintenance personnel.**

#### The heater does not heat.

- Check that the breakers to the heater are in good condition.
- Check that the connection cable is connected.
- Check that the control panel shows a higher figure than the temperature of the sauna.
- Check that the overheat protectors have not gone off. See figure 8.
- Check that the breaker is switched on. Also, breaker should be correct size.
- **Do not use GFI type breaker (type with reset button).**
- **Make sure timer is not in time delay mode. See figure 3.**

**The sauna room heats slowly. The water thrown on the sauna stones cools down the stones quickly.**

- Check that the breakers to the heater are in good condition.
- Check that all heating elements glow when the heater is on.
- Turn the temperature to a higher setting.
- Check that the heater output is sufficient (▷2.3.).
- Check that the sauna room ventilation has been arranged correctly (▷2.4.).

**The sauna room heats quickly, but the temperature of the stones remain insufficient. Water thrown on the stones runs through.**

- Turn the temperature to a lower setting.
- Check that the heater output is not too high (▷2.3.).
- Check that the sauna room ventilation has been arranged correctly (▷2.4.).

**Panel or other material near the heater darkens quickly.**

- Check that the requirements for safety distances are fulfilled (▷3.2.).
- Check the sauna stones (▷1.1.). Too tightly piled stones, the settling of stones with time or wrong stone type can hinder the air flow through the heater, which may result in overheating of surrounding materials.
- Check that no heating elements can be seen behind the stones. If heating elements can be seen, rearrange the stones so that the heating elements are covered completely (▷1.1.).
- Also see section 2.1.2.

**The heater emits smell.**

- See section 1.2.
- The hot heater may emphasize odors mixed in the air that are not, however, caused by the sauna or the heater.

**The heater makes noise.**

- Occasional bangs are most likely caused by stones cracking due to heat.
- The thermal expansion of heater parts can cause noises when the heater warms up.

## 2. THE SAUNA ROOM

### 2.1. Insulation and Wall Materials of the Sauna Room

In an electrically heated sauna, all the massive wall surfaces which store plenty of heat (such as bricks, glass blocks, plaster etc.), must be sufficiently insulated in order to keep the heater output at a reasonably low level.

A wall and ceiling construction can be considered to have efficient thermal insulation if:

- the thickness of carefully fitted insulation inside the structure is 4" (100 mm) minimum 2" (50 mm).
- the moisture protection consists of e.g. aluminium paper (building foil). The paper must be fitted so that the glossy side is towards the inside of the sauna.
- the inside is covered by 1/2" to 3/4" thick panelling.

When aiming at a reasonable heater output, it may be advisable to lower the ceiling of the sauna, (minimum height 75" (1900 mm)). As a result, the volume of the sauna is decreased, and a smaller heater output may be sufficient. The ceiling can be lowered so that the ceiling joists are fixed at a suitable height. The spaces between the joists are insulated (minimum insulation 4" (100 mm)) and surfaced as described above.

Because heat goes upwards, a maximum distance of 47" (1200 mm) is recommended between the bench and ceiling.

**NOTE! The protection of the walls or ceiling with heat protection, such as mineral board fitted directly on the wall or ceiling, may cause the temperature of the wall and ceiling materials to rise dangerously high.**

#### 2.1.1. Room construction – general information

##### FRAMING

2" x 4" (50 x 100 mm) any suitable wood material, 16" (406 mm) o.c.

##### CEILING HEIGHT

7'-0" is best (no higher than 8'-0" max.)

##### INSULATION

R13 Fiberglass in walls and ceiling.

##### DRYWALL

See local codes. Is not required in most residences. See local codes for commercial. If drywall is used apply 1" x 2" (25 x 50 mm) nailers so that wall and ceiling boards can be attached to solid wood.

##### PANELING

Use kiln-dried softwood (with moisture content not exceeding 11 %).

##### BENCHES

Use matching softwood. Fasten from bottom to prevent burning of bathers.

##### DOOR

Must open out and should not have a lock. Types of door fastenings that may be used are magnetic catches, friction catches, spring-loaded or gravity loaded door closers, and the like.

##### ROOM LIGHT

Should be a vapor proof, wall mounted type, with rough-in box mounted flush with inside paneling. It should be mounted 6" (150 mm) from ceiling, not directly over the sauna heater, and not over upper benches. It could be installed under benches. Light bulb should not exceed recommended watts of the light manufacturer.

Note! Receptacles OR PLUGS are not allowed in a Sauna room. If a speaker is installed in a Sauna room, it should not be installed higher than 3' (914 mm) from floor, away from the Sauna heater (consult manufacturer for ratings).

#### 2.1.2. Darkening of the Sauna Walls

It is perfectly normal for the wooden surfaces of the sauna room to darken in time. The darkening may be accelerated by

- sunlight
- heat from the heater
- protective agents on the walls (protective agents have a poor heat resistance level)

### 2.2. Sauna Room Floor

Due to a large variation in temperature, the sauna stones disintegrate in use.

Small pieces of stone are washed down on the sauna room floor along with the water thrown on the rocks.

To prevent aesthetic damage only dark joint grouts and floor coverings made of rock materials should be used underneath and near the heater.

### 2.3. Heater Output

When the walls and ceiling are covered with panels, and the insulation behind the panels is sufficient to prevent thermal flow into the wall materials, the heater output is defined according to the cubic volume of the sauna. See table 2.

Because log walls are heated slowly, the cubic volume of a log sauna should be multiplied by 1.5, and the heater output should then be selected on the basis of this information.

### 2.4. Sauna Room Ventilation

Should be provided by lower vent close to heater, 4" (100 mm) from floor, and upper vent on opposite wall (if possible) 6" (150 mm) from ceiling or as low as 24" (600 mm) from floor. Vents are recommended but not required. Vent R.O. size is 4" x 10".

## 2.5. Hygienic Conditions of the Sauna Room

Good hygienic standards of the sauna room will make bathing a pleasant experience.

The use of sauna seat towels is recommended to prevent sweat from flowing onto the platforms. The towels should be washed after each use. Separate towels should be provided for guests.

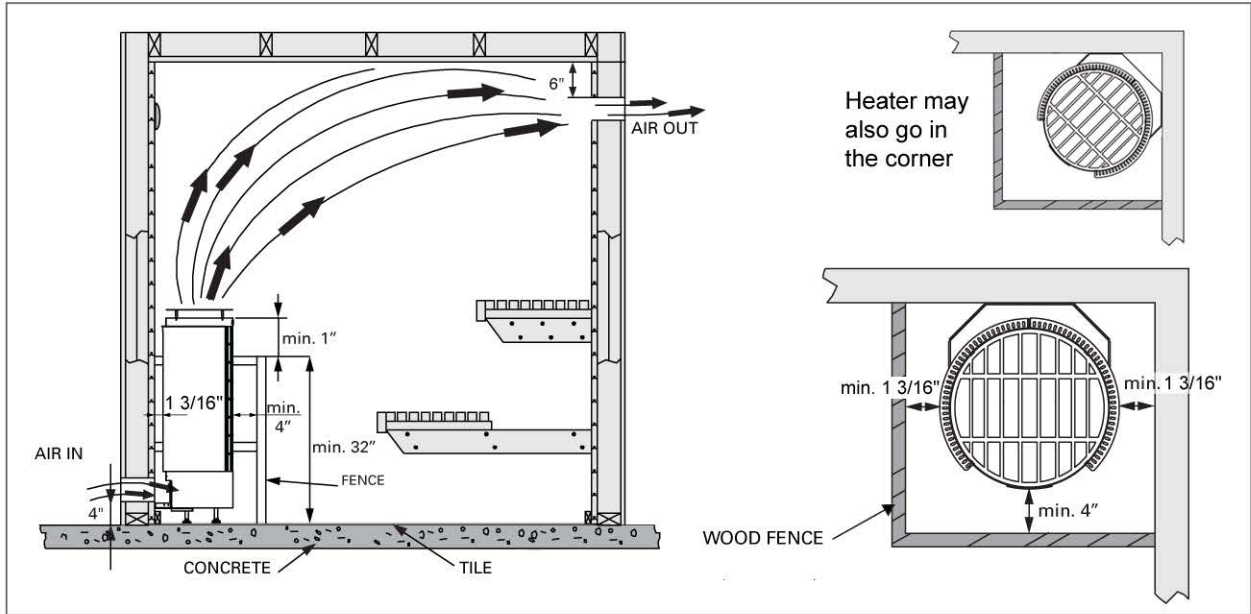
It is advisable to vacuum or sweep the floor of the sauna room in connection with cleaning. In ad-

dition, the floor may be wiped with a damp cloth.

The sauna room should be thoroughly washed at least every six months. Brush the walls, platforms and floor by using a scrubbing-brush and sauna cleanser. Then rinse the saunaroom by using clean household water. Remove lime stains from the heater using a 10% citric acid solution and rinse.

Wipe dust and dirt from the heater with a damp cloth.

**Two 4" x 10" R.O. Vents are recommended in the Sauna Room for proper air circulation**



**Figure 4. Ventilation of the sauna room and min. clearances from wall and fence**



### 3. INSTRUCTIONS FOR INSTALLATION

#### 3.1. Prior to Installation

Prior to installing the heater, read all the instructions for installation (figure 7), as well as checking the following points:

- The heater volume should be suitable for the sauna room volume. Table 2 shows the minimum and maximum volumes for each heater output. A precondition for the given values is that the sauna room is well heatinsulated. Walls and ceiling are covered with wood panel.
- Check that supply voltage and amperages are available for the heater.
- The breakers and the connection cables conform with valid regulations and their dimensions are in accordance with table 3.
- The location is suitable for the heater (>3.2.).

#### 3.2. Place and Safety Distances

The minimum safety distances are described in figure 4 and 5.

- **It is absolutely necessary to install the heater according to these values. Neglecting them causes a risk of fire.**
- **Hot pieces of stone can damage floor coverings and cause a risk of fire.** The floor coverings of the installation place should be heat-resistant.

#### 3.3. Heater fence

It is necessary for safety and should be constructed of softwood to match sauna interior. See figures 4 and 5 for clearances from sauna heater. Fence should be attached to wall and should not be placed higher than top of heater below rock line.

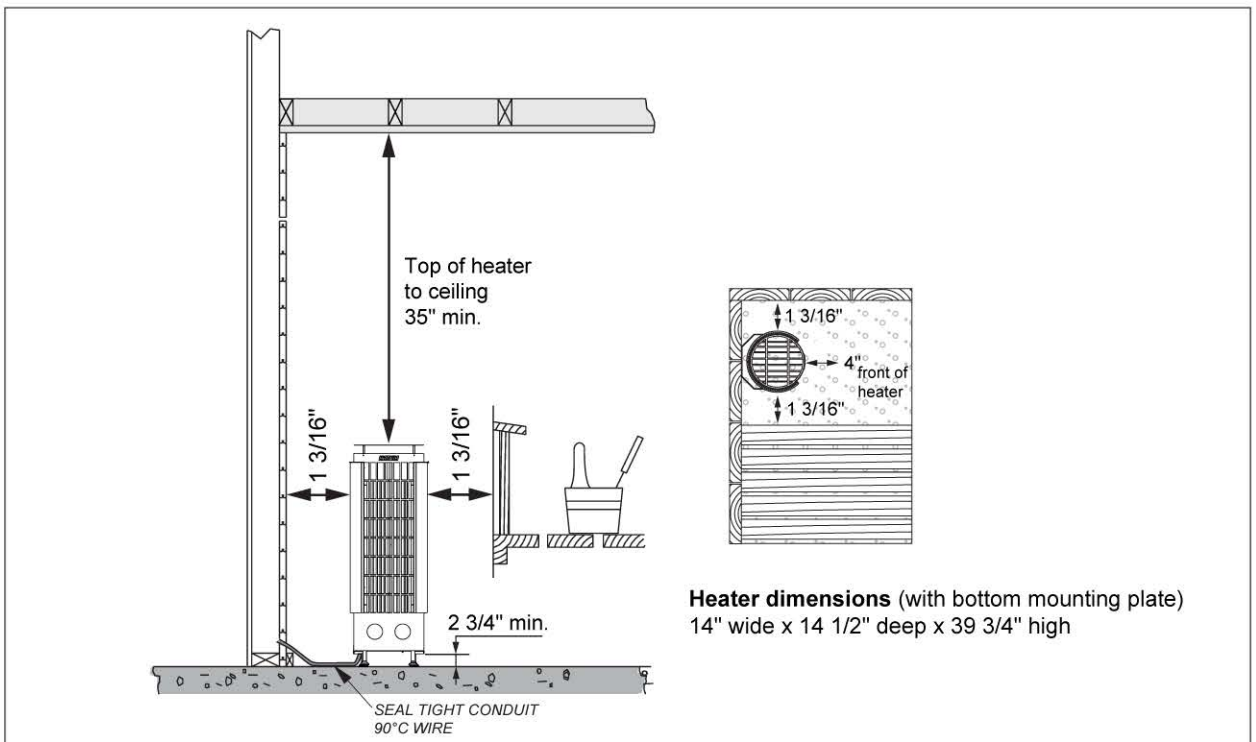


Figure 5. Minimum safety distances and sauna controls.

Heater	Output	Dimensions		Stones	Sauna room								
		Width/Depth/Height	Weight		Cubic vol.		Floor Area		Height				
	kW	inch mm	lb/kg	max lb/kg	min CuFt/m <sup>3</sup>	max CuFt/m <sup>3</sup>	min sqft	max sqft	min inch/mm				
HPCS6U1H	6.0	14/13/40 360/340/1010	44 20	180 80	141 4	294 8	23	47	75 1900				
HPCS8U1H	8.0	14/13/40 360/340/1010	44 20	180 80	200 6	431 12	36	69	75 1900				
HPCS9U1H	9.0	14/13/40 360/340/1010	44 20	180 80	282 8	494 14	45	79	75 1900				

Table 2. Installation details of the heater

### 3.4. Electrical Connections

The heater may only be connected to the electrical network in accordance with the current regulations by an authorised, licensed professional electrician.

The heater must be connected with a fixed all poles disconnection device, that provides full disconnection under overvoltage category III conditions. The connection must be made according to current local and general regulations.

Further instructions concerning exceptional installations can be obtained from local electrical authorities.

1. Remove heater from carton and place in proper location in sauna room. Observe proper clearances as per figures 4 and 5. After final hookup, electrical contractor should secure heater to wall.
2. See applicable wiring diagram for heater model (figure 6). Heater must be permanently installed by using seal tight conduit between the heater and the wall of the sauna room (pigtails or plugs are not allowed in the sauna room). Wiring must be done by a licensed electrician, who must follow wiring diagram provided and adhere to local codes. Use proper AWG rated wire size and use copper wire suitable for 194 °F (90 °C) within sauna walls. Use grounding terminals provided in sauna heater to properly ground the equipment as per NEC and local codes.

3. Inside the heater box there are two signs. Please place the metal "CAUTION" sign on the interior wall of the sauna room directly above the heater in a visible place (screws and nails included). Place the metal "WARNING" sign outside, on the door of the sauna room. "MAINTENANCE INSTRUCTIONS" are at the end of this manual.

### 3.5. Installing the Heater

See figure 7.

1. Install the wall-mounting device.
2. Connect cables to the heater.
3. Place the heater and adjust the heater vertically straight using the adjustable legs.
4. Use fixing kits (2 pcs) to fix the heater to sauna's structures.

### 3.6. Electric heater insulation resistance

When performing the final inspection of the electrical installations, a "leakage" may be detected when measuring the heater's insulation resistance. The reason for this is that the insulating material of the heating resistors has absorbed moisture from the air (storage, transport). After operating the heater for a few times, the moisture will be removed from the resistors.

**Do not connect the power feed for the heater through the RCD (residual current device)/GFI (Ground Fault Interrupter)!**

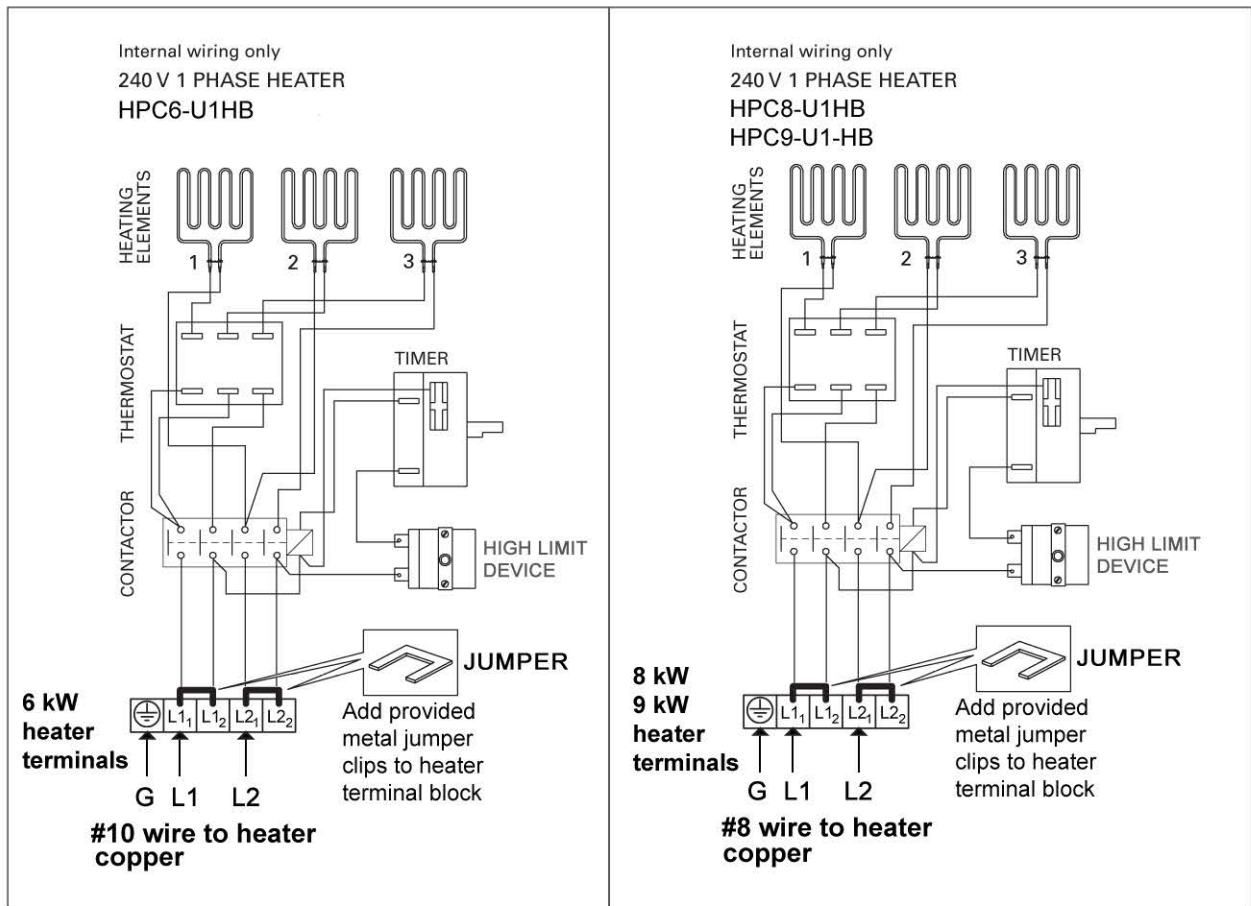


Figure 6. Electrical connections of the heater

Heater model	Input kW	Voltage	Ph	Amps	Breaker Size	Wire size breaker to heater	Heater lbs.	Stones lbs.
HPC6-U1HB	6.0	240	1	25	30A	(2) #10 + G	44	180
HPC8-U1HB	8.0	240	1	33.4	40A	(2) #8 + G	44	180
HPC9-U1HB	9.0	240	1	37.5	40A	(2) #8 + G	44	180

Table 3. Supply wires Use non-GFI double pole breaker All supply wires to be 90° C copper

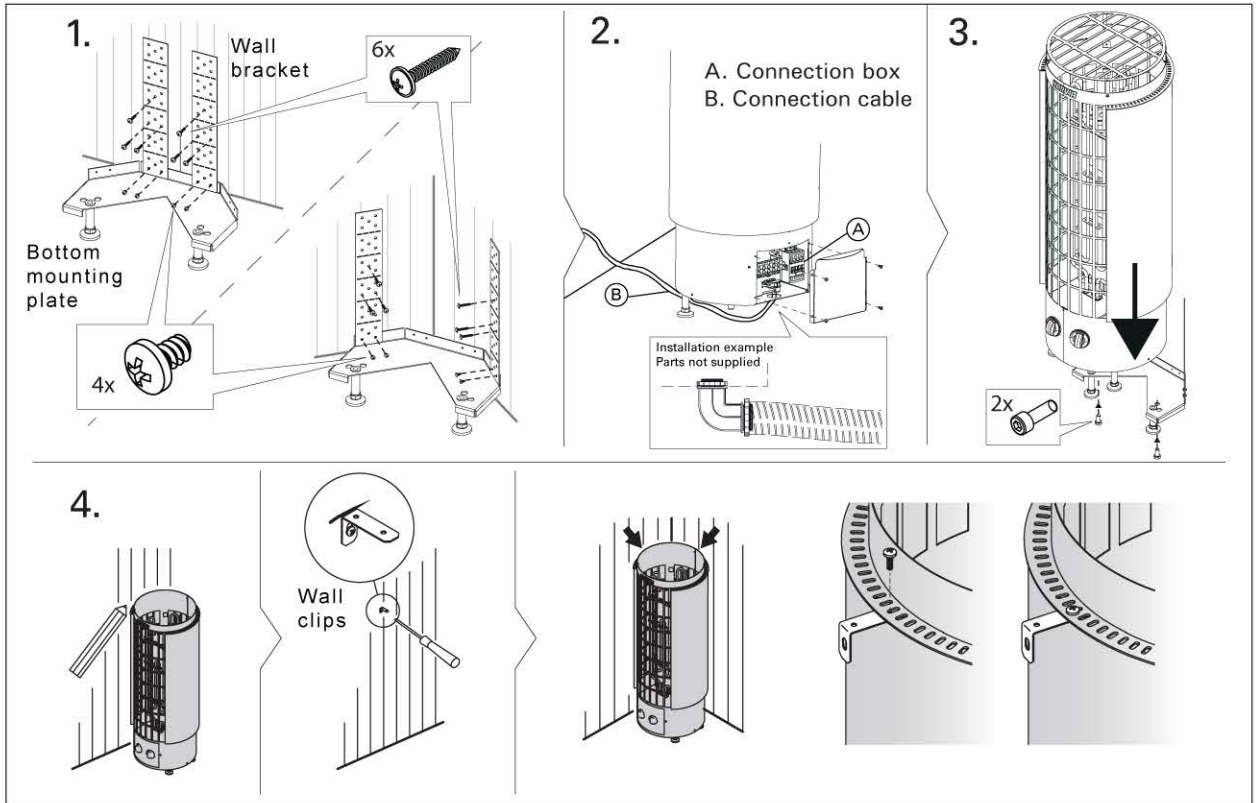


Figure 7. Installing the wall-mounting device (1.) and the heater (2.-4.)

### 3.7. Resetting the Overheat Protector (High Limit Device)

If the temperature of the sauna room becomes dangerously high, the overheat protector will permanently cut off the supply of the heater. The overheating protector can be reset after the heater has cooled down. See figure 8. Please check that the stones are piled properly.

Feel for high limit reset button at the bottom of the heater near the back.

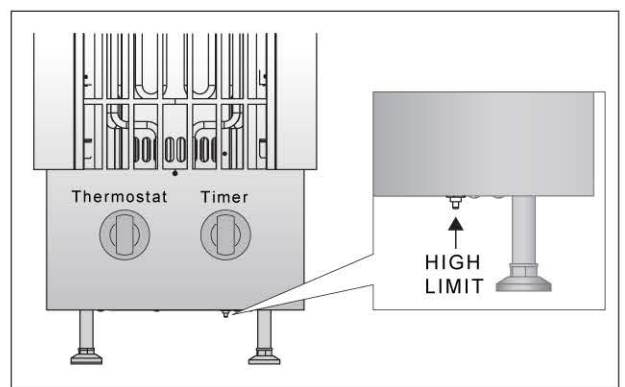
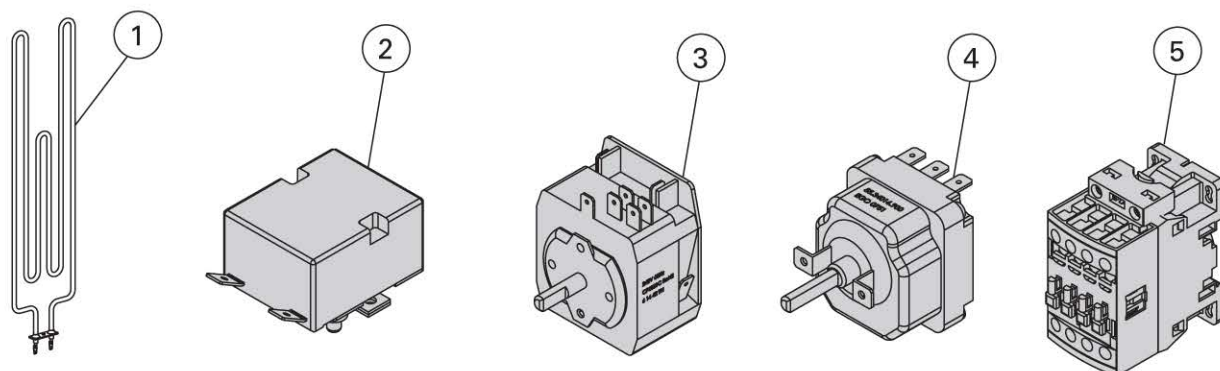


Figure 8. Reset button for overheat protector

## 4. SPARE PARTS



Use only parts approved by the manufacturer!

	Part description	Part #	Heater model	Qty.
1	Heating element 2250 W/240 V Heating element 3000 W/240 V	Y10-0005 Y10-0004	HPC(S)7U1HB HPC(S)9U1HB	3 3
2	Overheat protector (high limit device)	ZSK-764		1
3	Timer	ZSK-766		1
4	Thermostat	ZSK-762		1
5	Contactora	ZSK-778		1

## MAINTENANCE INSTRUCTIONS

1. Use only clean water on sauna stones. **Do not** use spa or pool water as it will destroy your heater.
2. Clean water should always be used in sauna buckets and water should be dumped out after every use. Scour buckets and dippers occasionally when film collects from usage. Use plastic bucket liner in bucket to prevent water leakage.
3. Scrub benches with a soft brush, using soap and water or a mild disinfectant, when needed — about once a week in commercial saunas, or depending upon sauna usage. For sanitation, each bather should sit or lie on a towel (this will prolong bench life).
4. Remove possible removable flooring and wash waterproof floor with disinfectant about once a week or as often as needed. Hose off removable flooring to clean.
5. To maintain beautiful appearance of Sauna heater, remove water stains by wiping with a damp cloth occasionally.
6. Our heaters require no special maintenance when properly installed by a qualified electrical contractor. After 1–2 years of usage, the rocks may need replacing if they have crumbled or powdered (depending upon sauna usage).
7. We strongly recommend a floor that can be easily cleaned (concrete, ceramic tile, or a poured type of flooring). When this is provided, the sauna can be easily cleaned and kept in a sanitary condition with little effort. A carpet is NOT recommended for a sauna! A carpet becomes a perfect breeding ground for bacteria in the moist conditions of a sauna; and a carpet promotes the spread of foot diseases such as athlete's foot. For the same reasons, wooden duckboard should not be used for flooring.
8. In new construction, a floor drain should also be provided, especially in commercial saunas for sanitary cleaning and maintenance.
9. Seal wood around glass in door—inside and outside—with waterproofing wood protector to prevent warpage.
10. When sauna wood becomes stained from perspiration, the wood may be lightly sanded with fine sandpaper to restore beautiful appearance. We do not recommend stains or sealers as toxic vapors may appear when heated. However, 2 coats of waterproofing wood protector may be used on the wood benches in a commercial sauna, so that the wood may be more easily cleaned and kept sanitary — the wood will not absorb perspiration.
11. The sauna room will heat faster if the higher vent is kept in a closed position when heating. The lower vent may always be kept in an open position.
12. Required warning signs should be posted according to the instructions.



**GUARANTEE**

The manufacturer gives a one year guarantee for this heater. The guarantee starts from the date of purchase and includes all the parts of the heater (heating elements, controls, contactors, etc.).

The guarantee covers faults from the manufacture and material only. The guarantee includes a supply of spare parts by the manufacturer or importer after the faulty parts have been returned. Replacing any parts in the heater does not extend the original guarantee period of one year.

The guarantee does not cover defects caused by normal wear and tear, defects caused by improper installation, poor maintenance or failure to follow the manufacturer’s instructions for installation, use and care, or alterations made to the product. The guarantee is void if the heater is used improperly. The guarantee does not cover delivery costs of the faulty part or repair costs on the field. If the heater is returned to the manufacturer or importer within five years from the date of purchase, the importer will provide free repair work, but may charge for spare parts if the one-year guarantee has expired.

The guarantee is void if installation and wiring has not been carried out by licensed electrician or authorized and licensed service representative. Please note that the installers signature is needed below.

The guarantee is void if the information below is not filled out and returned to the manufacturer or importer within 15 days of purchase. The guarantee applies only to the first installation of the product and to the original purchaser.

<b>Harvia heater model</b>	_____
<b>Serial number</b>	_____
<b>Date of purchase</b>	_____
<b>Original purchaser</b>	_____
<b>Address</b>	_____ _____ _____
<b>Purchased from</b>	_____
<b>Date of electrical installation</b>	_____
<b>Signature of the installer</b>	_____
<b>Licensed number of installer</b>	_____